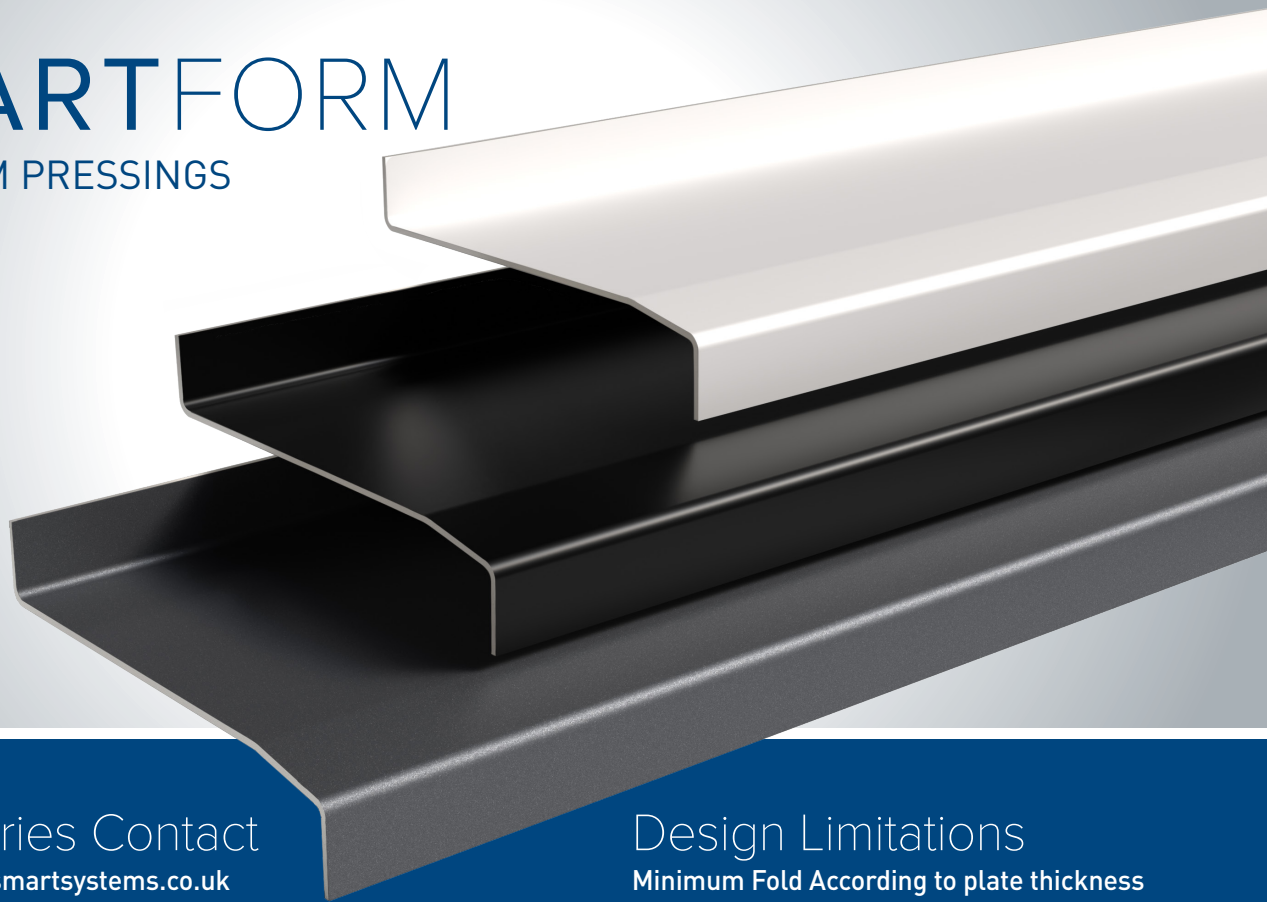


SMARTFORM

ALUMINIUM PRESSINGS



For Enquiries Contact
formenquiries@smartsystems.co.uk

Our SmartForm Pressings service combines advanced press technology and precision tooling to deliver consistent, high-quality aluminium components at production scale.

Flexible Production Capacity to support aluminium pressings from 1.5 to 3mm thickness.

High-quality Powder Coating, delivered by Smart's advanced powder coating lines to ensure a consistent, durable finish across a wide range of standard and RAL colours

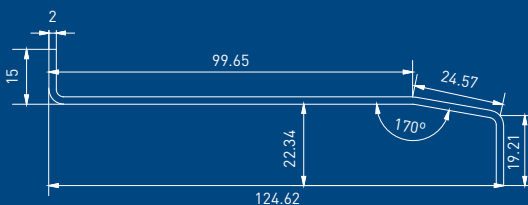
One Stop Shop solution for pressings and profiles with reliable colour matching across all products

The Ideal Choice for bespoke trims, cill pressings, and a wide range of custom aluminium pressings.

Example Costing

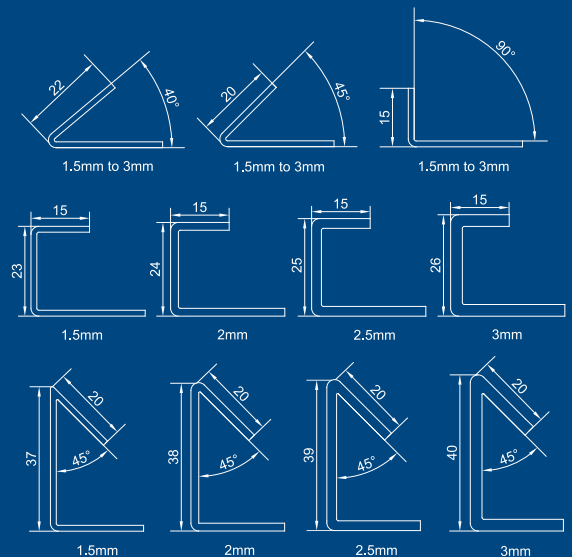
costing of one metre and three metre lengths as per example below

Length (mm)	Thickness (mm)	Number of bends	Total cost (ex VAT)
1000	2	3	£35.66
3000	2	3	£50.99



Design Limitations

Minimum Fold According to plate thickness



SmartForm Pressing Thickness	Max Pressing Length
1.5mm	2400mm
2.0mm	3000mm
2.5mm	3000mm
3.0mm	3000mm

The pressings will be equipped with jigholes which are necessary to suspend them for powder coating. Please do always indicate their position on your order form, if not Smart will apply them without responsibility.

Please do always use the standard enquiry forms to avoid mistakes, loss of time and to ensure a smooth processing.