

Smart Architectural Aluminium

# 2024 UPDATE





Smart Architectural Aluminium  
**2024 UPDATE**

**Regulation Update**

*Anthony Murray*

**Product Update**

*Anthony Murray*

**Designer and Doors**

*Scott Garner*

**Closing Remarks**

*Dean Thomas*



# Regulation Update

## Building Regulation

### Regulation Update

### Product Update

#### **Document L Thermal**

FHS Future Home Standard Consolation

#### **Document Q Security**

PAS24

Document Q

#### **CE Marking**

CE Marking to UKCA



# Regulation Update

## Building Regulation

**Regulation Update**

**Document L**

Document Q

CE Marking

Product Update

# Document L

**Conservation of fuel and power**



# Regulation Update

## Building Regulation

Regulation Update

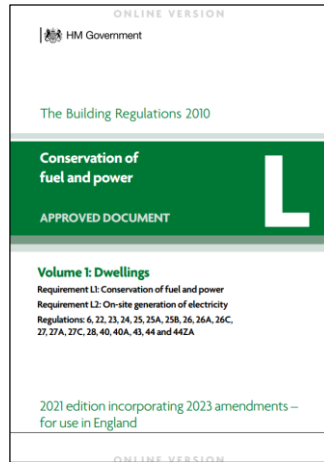
Document L

Document Q

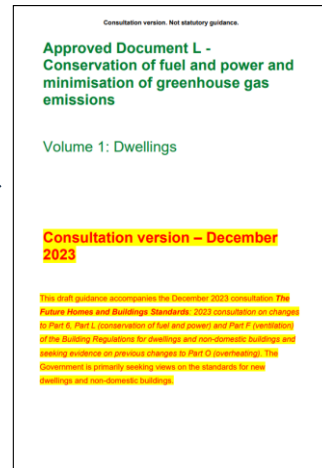
CE Marking

Product Update

### FHS Future Home Standard Consolation



2021 Interim Uplift



December 2023  
Draft Amendments



Future Document L



# Regulation Update

## Building Regulation

### Regulation Update

Document L

Document Q

CE Marking

Product Update

## FHS Future Home Standard Consolation



[Home](#) > [Housing, local and community](#) > [Planning and building](#) > [Building regulation](#)

Closed consultation

## The Future Homes and Buildings Standards: 2023 consultation

From: [Department for Levelling Up, Housing and Communities](#)

Published 13 December 2023

Last updated 4 March 2024 — [See all updates](#)

 [Get emails about this page](#)

### We are analysing your feedback

Visit this page again soon to download the outcome to this public feedback.



# Regulation Update

## Building Regulation

Regulation Update

Document L

Document Q

CE Marking

Product Update

**What** are the [likely] **changes?**

Proposed 'Fabric values' remain the same:

### **Replacement**

Windows B Rated or 1.4

Doors C Rated or 1.4

### **New Build Windows**

Notional 1.2 to Limiting 1.6



# Regulation Update

## Building Regulation

Regulation Update

Document L

Document Q

CE Marking

Product Update

## What are the [likely] changes?

**Table 4.1 Limiting U-values for new fabric elements and air permeability in new dwellings**

**Table 1.1 Summary of notional dwelling specification for new dwelling<sup>(1)</sup>**

Element or system	Reference value for target setting
Opening areas (windows, roof windows, rooflights and doors)	Same as for actual dwelling not exceeding a total area of openings of 2% of total floor area <sup>(2)</sup>

**Table 4.2 Limiting U-values for new fabric elements in existing dwellings**

Element type	Maximum U-value <sup>1</sup> W/(m <sup>2</sup> ·K)
Roof <sup>2</sup>	0.15
Wall <sup>2,3</sup>	0.18
Floor <sup>4,5</sup>	0.18
Swimming pool basin <sup>6</sup>	0.25
Window <sup>7,8</sup>	1.4 or Window Energy Rating <sup>9</sup> Band B minimum
Rooflight <sup>10,11</sup>	2.2

At 50Pa





# Regulation Update

## Building Regulation

Regulation Update

Document L

Document Q

CE Marking

Product Update

## What are the [likely] changes?

Performance requirements for **new homes**

**Option 1** includes:

- A notional building with:
  - ☑ a high-efficiency **air-source heat pump**
  - ☑ **solar PV** (photovoltaic) panels
  - ☑ **wastewater heat recovery** system
  - ☑ **increased airtightness**
  - ☑ a decentralised **mechanical ventilation** (dMEV) system
- ☑ a significant increase in performance standards for **domestic hot water storage**
- ☑ a separate notional building for new **heat networks**. 4.11.

+ high fabric standards to minimise heat loss from windows, walls, floors and roofs  
(the same as the standards set in the 2021 uplift to Part L)



# Regulation Update

## Building Regulation

Regulation Update

Document L

Document Q

CE Marking

Product Update

## What are the [likely] changes?

Performance requirements for **new homes**

**Option 2** mirrors Option 1:

A notional building with:

a high-efficiency **air-source heat pump**

**Except it does not include**

**solar PV (photovoltaic) panels**

**wastewater heat recovery system**

**increased airtightness**

**a decentralised mechanical ventilation (dMEV) system**

a significant increase in performance standards for **domestic hot water storage**

a separate notional building for new **heat networks**. 4.11.

+ high fabric standards to minimise heat loss from windows, walls, floors and roofs  
(the same as the standards set in the 2021 uplift to Part L)



# Regulation Update

## Building Regulation

Regulation Update

Document L

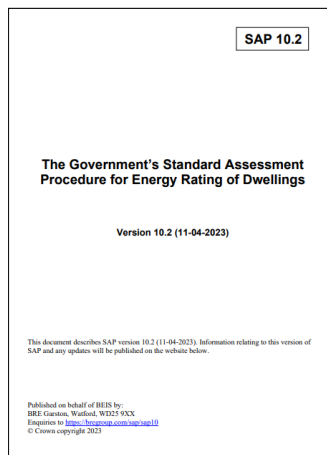
Document Q

CE Marking

Product Update

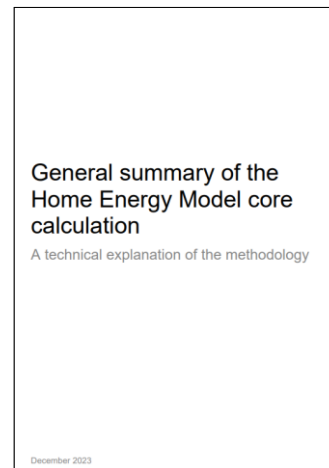
## What are the [likely] changes?

SAP



SAP Calculation

HEM



HEM Home Energy Model





# Regulation Update

## Building Regulation

Regulation Update

Document L

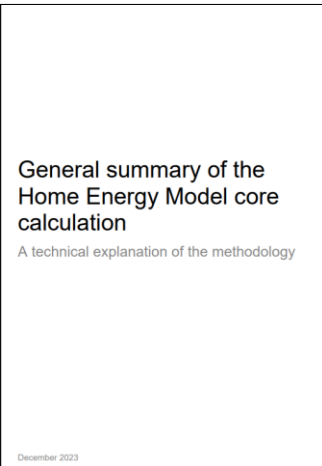
Document Q

CE Marking

Product Update

## What are the [likely] changes?

### HEM



HEM Home Energy Model

The **Home Energy Model** represents a complete overhaul compared with SAP 10.2 and previous versions of SAP.

All these significant changes are explained in the consultation documents.



# Regulation Update

## Building Regulation

Regulation Update

Document L

Document Q

CE Marking

Product Update

### What are the [likely] changes?

## HEM

General summary of the Home Energy Model core calculation

A technical explanation of the methodology

December 2023

HEM Home Energy Model

Warning  
This is a TEST site. To use HEM Consultation for real click [here](#).

Home  
Logout

bre

Home Energy Model: Future Homes Standard assessment tool  
Developed by BRE on behalf of UK Government.

Home  
My Projects

Want another project?  
Click New Project.

Create a Project  
New project

Enter project name:

To create a project here and...

Please note that this is not representative of the user experience users will have when the final version is **planned to be released in 2025**. This tool has only been developed for the purpose of providing users with a basic working tool.



# Regulation Update

## Building Regulation

Regulation Update

Document L

Document Q

CE Marking

Product Update

## What are the [likely] changes?

### U-values

- 4.1 U-values should be assessed using the Building Research Establishment's BR 443. U-values should be assessed for the whole fabric element (e.g. in the case of a window, the combined performance of the glazing and the frame).
- 4.2 The U-value of a window should be determined using one of the following:
- Calculated using the actual size and configuration of the window.
  - Calculated for a standard window configuration of the window.
  - Calculated for a standard window configuration of the window.
    - For a casement window, a door or a vertical sliding sash window.
    - For a vertical sliding sash window.
    - For a roof window, no division between the glazing and the frame.
- 4.3 The U-value of a door should be determined using one of the following:
- Calculated using the actual size and configuration of the door.
  - Calculated using one of the following:
    - 1.23m (+25%) wide x 2.18m (+25%) high.
    - 1.23m (+25%) wide x 2.18m (-25%) high.

### U-values

- 4.1 U-values should be assessed using the methods and conventions set out in the Building Research Establishment's BR 443. U-values should be assessed for the whole fabric element (e.g. in the case of a window, the combined performance of the glazing and the frame).

### New dwellings

- 4.2 For new dwellings, the U-value of a window should be determined using one of the following:
- Calculated using the actual size and configuration of the window.
  - Measured using the hot-box method set out in BS EN ISO 12567-1 for windows and in BS EN ISO 12567-2 for roof windows.
- 4.3 For new dwellings, the U-value of a door should be determined using one of the following:
- Calculated using the actual size and configuration of the door.
  - Measured using the hot-box method in BS EN ISO 12567-1.

### Existing dwellings

- 4.4 For existing dwellings, the U-value of a window should be determined using one of the following:
- Calculated using the actual size and configuration of the window.
  - Calculated for a standard window 1.23m (+25%) wide x 1.48m (-25%) high.



# Regulation Update

## Building Regulation

Regulation Update

Document L

Document Q

CE Marking

Product Update

### What are the [likely] changes?

- FHS applies to New Build only
- No planned change to U Values
- Low carbon technologies – Heat pump/PV etc...
- SAP Calculation to be replaced by HEM Software
- Actual Size and Configuration for New Build Domestic



# Regulation Update

## Building Regulation

Regulation Update

Document L

Document Q

CE Marking

Product Update

What are the [likely] **changes**?

**When** are the changes planned?



**Publication**

Regulation and HEM software planned 2025?

**Implementation period**

+ 6 months or 12 months

**Transition period**

+ 12 month





# Regulation Update

## Building Regulation

**Regulation Update**

Document L

**Document Q**

CE Marking

Product Update

# Document Q

**Security**



# Regulation Update

## Building Regulation

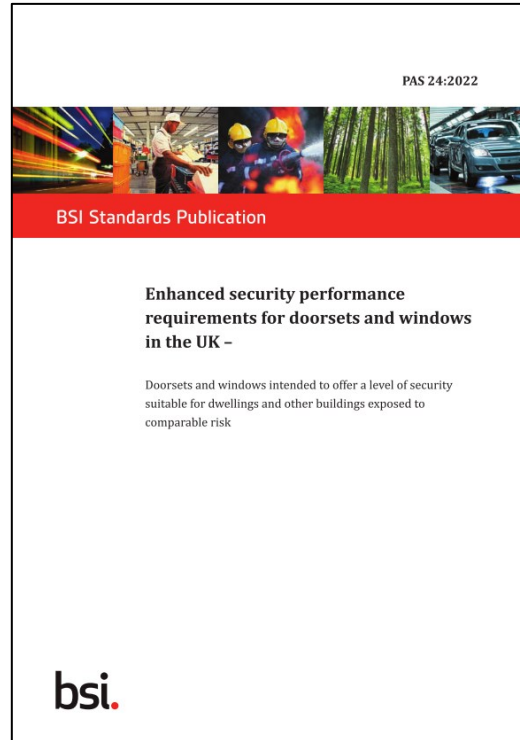
### Regulation Update

Document L

Document Q

CE Marking

Product Update



#### Information about this document

This is a full revision of the PAS, and introduces the following principal changes:

- clarification of test methods;
- introduction of widely available tools in Tool Group B; and
- updating of references to proprietary standards.



# Regulation Update

## Building Regulation

Regulation Update

Document L

Document Q

CE Marking

Product Update



### A.2 Test tools

#### A.2.1 Tools group A

**A.2.1.1** Assorted mild steel wire, not more than 2 mm in diameter and not more than 700 mm in length.

**A.2.1.2** Two credit cards, of size [(55 ±5) × (85 ±5)] mm and (0.7 ±0.3) mm thick.

**A.2.1.3** Two paint scrapers, with a blade width of approximately (75 ±15) mm in width.

**A.2.1.4** One craft knife, with a maximum overall length of 180 mm, a straight blade (0.6 ±0.1) mm thick and an exposed blade of length (28 ±7) mm, e.g. a Stanley-trimming type knife.<sup>3)</sup>

**A.2.1.5** Two flat blade screwdrivers, of length (150 ±20) mm overall, a shank length of (75 ±15) mm, a shank diameter of (3 ±0.5) mm and a blade width of (3 ±1) mm. The shank shall be of vanadium or chrome tool grade steel.

#### A.2.2 Tools group B

**A.2.2.1** One wood chisel, of length (250 ±20) mm overall and a blade width of (25 ±2) mm.

**A.2.2.2** One wood chisel, of length (250 ±20) mm overall, and a blade width of (6 ±1) mm.

**A.2.2.3** One flat blade screwdriver, of length (200 ±20) mm overall, a shank diameter of (6 ±1) mm and a blade width of (6 ±1) mm.

**A.2.2.4** One brick bolster, of length (250 ±25) mm and a blade width of (50 ±15) mm.

**A.2.3.7** One interchangeable bit screwdriver, of length (200 ±20) mm long overall with PH1 to PH3, PZ1 to PZ3, T5 to T30, H2 to H6, hexagon heads range 4 mm to 10 mm and slotted 3.5 mm to 6.5 mm bits. This screwdriver is only to be used for removal of exposed fixings.

# Regulation Update

## Building Regulation

Regulation Update

Document L

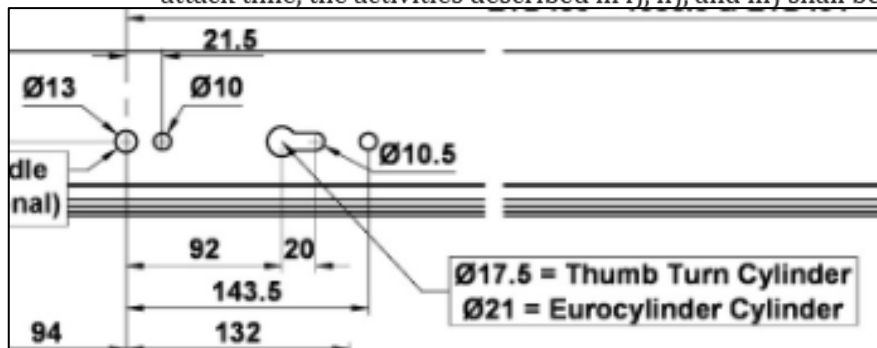
Document Q

CE Marking

Product Update

### A.3.4 Part 3: Door assembly integrity test

Part 3 of the test consists of three activities. Where applicable, each activity shall be conducted as detailed in i), ii), and iii). The total test time shall consist of attack time and rest time. During the attack time, the activities described in i), ii), and iii) shall be performed. Changing the attachments



Time taken to consider the part of the rest time.

Time shall not exceed 7 min.

the lock mechanism by attacking any

in the lock case;

iii) if access to the internal workings of the hardware, cylinder or lock is gained, then attempt to defeat the lock and gain entry by operating any accessible mechanism.

*NOTE 1* The purpose of this test is to assess the ability of the doorset to protect the lock hardware from attack.

*NOTE 2* The security of the door leaf-lock combination can be enhanced by the lock and cylinder apertures being formed in such a way that there are no unnecessary voids within the door leaf or excessive clearance around the cylinder (if installed).

*NOTE 3* TS 007-1:2014+A2:2018 [2] 2-star handle or escutcheons have been proven to provide additional support and protection to the lock area of the door leaf.



# Regulation Update

## Building Regulation

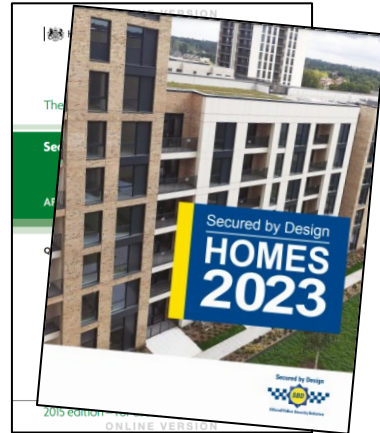
### Regulation Update

Document L

**Document Q**

CE Marking

Product Update



### **Secured By Design – New Homes**

Updated March 2023

References PAS24:2016\* and PAS24:2022

\*2016 version accepted by  
SBD until **September 2024**



# Regulation Update

## Building Regulation

### Regulation Update

Document L

**Document Q**

CE Marking

Product Update

## Document Q Security – New Dwellings

Introduced 2015

References PAS24:2012

Part Q Consolation expected in 2024 Q3?



### What will the consulation include?

- Update to latest PAS24:2022
  - New Hex Bits
  - Cylinder Prep on doors
- Extend to replacement markets and new commercial?
- Extend P1A laminates onto windows?



# Regulation Update

## Building Regulation

Regulation Update

Document L

Document Q

CE Marking

Product Update

### Requirement

*Requirement*

*Limits on application*

#### **PART Q SECURITY** **Unauthorised access**

##### **Q1**

Reasonable provision must be made to resist unauthorised access to—

- (a) any dwelling; and
- (b) any part of a building from which access can be gained to a flat within the building.

Requirement Q1 applies only in relation to new dwellings.



# Regulation Update

## Building Regulation

### Regulation Update

Document L

**Document Q**

CE Marking

Product Update

PAS 24:2022

BRITISH STANDARD

#### **4.2 Infill medium requirements**

Where doorsets, coupled side panels and windows adjacent to doorsets contain glass, each glazed area shall include at least one pane of laminated glass meeting the requirements of BS EN 356:2000, Class P1A or higher, and shall be glazed in accordance with the BS 6262 series.

Where windows contain glass and non-key unlocking hardware, each glazed area shall include at least one pane of laminated glass meeting the requirements of BS EN 356:2000, Class P1A or higher, and shall be glazed in accordance with the BS 6262 series.





# Regulation Update

## Building Regulation

### Regulation Update

Document L

**Document Q**

CE Marking

Product Update

### **PAS24:2024**

Currently out for comment 8<sup>th</sup> June 2024

- A.2.4. New Tool Group C
  - Water
  - Syringe
  - Aerosol freeze spray
  - High strength adhesive





# Regulation Update

## Building Regulation

### Regulation Update

Document L

**Document Q**

CE Marking

Product Update

### **PAS24:2024**

Currently out for comment 8<sup>th</sup> June 2024

New attack Cylinder Freezing + Snap

**Anticipate that require  
3 Star Cylinder plus  
1 Star Handle**





# Regulation Update

## Building Regulation

### Regulation Update

Document L

**Document Q**

CE Marking

Product Update

### **PAS24:2024**

- 4.1.2 Doorsets
  - Additions to the note concerning acceptable cylinder standards for doorsets to include
    - cylinders meeting the requirements of TS 007-1:2014+A2:2018 or the new TS 007-1:2024 standard (or mechatronic cylinders via TS 007-2:2019 or TS 007-2:2024) all with a 3-star rating (or a 1-star rating, plus a handle or escutcheon protecting the cylinder meeting the requirements of TS 007-1:2014+A2:2018 or TS 007-1:2024 with a 2-star rating) or
    - cylinders meeting Sold Secure SS312:2019 or the new Sold Secure SS312:2024 standard both with a Diamond rating (or a Gold rating plus a handle or escutcheon protecting the cylinder meeting the requirements of Sold Secure SS301:2024 with a minimum Bronze rating, or a mechatronic cylinder meeting the requirements of Sold Secure SS504:2024 with a Gold rating plus a Sold Secure SS312:2019 or SS312:2024 with a Diamond rating)



# Regulation Update

## Building Regulation

### Regulation Update

Document L

**Document Q**

CE Marking

Product Update

### **PAS24:2024**

Currently out for comment 8<sup>th</sup> June 2024

New attack Cylinder Freezing + Snap

Anticipate that require

3 Star Cylinder plus

1 Star Handle

**PAS24 Published and Document Q**

**For cylinder freezing updated timeframes**

**Currently anticipated 1<sup>st</sup> January 2027**





# Regulation Update

## Building Regulation

### Regulation Update

Document L

Document Q

**CE Marking**

Product Update

# CE Marking

**Conformity Marking**



# Regulation Update

## Building Regulation

### Regulation Update

Document L

Document Q

### CE Marking

Product Update

Great Britain



Valid Until 30/06/2025



Valid from 1/1/2021

UK Construction Regulation  
**30 June 2025** end of recognition of  
CE Mark in Great Britain

European Union





# Conformity Marking

## UKNI

### Regulation Update

Document L

Document Q

### CE Marking

### Product Update

Great Britain



Valid Until 30/6/2025

Northern Ireland



OR



Northern Ireland Protocol  
CE Mark or UKNI Mark

European Union





# Conformity Marking

## UKCA UKNI

### Regulation Update

Document L

Document Q

### CE Marking

### Product Update

Great Britain



Northern Ireland



European Union



OR



UK Approved Bodies

**UK  
CA**

**CEUK  
NI**

bsi. **BBA** bre





# Conformity Marking

## UKCA UKNI

### Regulation Update

Document L

Document Q

### CE Marking

### Product Update

Great Britain



**CSTB**  
le futur en construction



Northern Ireland



European Union



EU Notified Bodies

CE

CE

OR



UK Approved Bodies

UK  
CA

CE  
UK  
NI



# Conformity Marking

UKCA UKNI

## Regulation Update

Document L

Document Q

## CE Marking

## Product Update

Great Britain



Northern Ireland



OR



European Union







# Regulation Update

## Building Regulation

### Regulation Update

### Product Update

## Regulation Update

### Document L

No change proposed to U Values  
Project Specific U Value + SAP to HEM  
Anticipated Publish 2025 + 6/12 + 12 Month

### Document Q

PAS24 - Hex bits and Cylinder added 2022  
Consolation Document Q Q3 2024  
*Pas 24 Consultation on Cylinder Freezing*  
*Anticipated 1<sup>st</sup> January 2027*

### CE Marking

CE Marking ceases to recognised  
30 June 2025



Smart Architectural Aluminium

# PRODUCT UPDATE

Regulation Update

**Product Update**

Alitherm 400

Visofold

Visoglide

3D Living

Doors

## Product Update



Product Update

# ALITHERM 400

Regulation Update

Product Update

**Alitherm 400**

Visofold

Visoglide

3D Living

Doors



FEATURING SMART'S NEW  
**QUICK GLAZE BEAD**



## Introducing... ALITHERM 400

Combining outstanding value and quality, with class-leading performance and security, the new Alitherm 400 system provides a range of stylish casement windows and single and double doors.

The system is perfect for a wide variety of projects, including both new build and refurbishment, residential and light commercial applications and is proudly made in Britain by Smart. Alitherm 400's design incorporates Smart's innovative polyamide thermal break technology, which creates a barrier between the cold air outside and

warm air inside, significantly reducing thermal transmittance and enhancing the system's overall U-value. The system is also fully compliant with changes to Document L of the Building Regulations, is rigorously tested to PAS 24:2016 as standard and exceeds the requirements for weather resistance and security performance.

The image illustrates suitable applications for Alitherm 400 and is not binding in detail or specification.

### DESIGNING PRODUCT SOLUTIONS FOR

- ◆ **Building Regulations Compliant**  
Fully compliant with changes to Document L of the building Regulations
- ◆ **Smart Quick-Glaze Bead**  
Featuring integrated gasket and 'tap-in' design for easier fabrication and faster installation
- ◆ **PAS 24:2016 Approved**  
Enhanced security for aluminium windows and doors
- ◆ **Unrivalled Choice of Colour**  
In addition to our 5 colour collections, we can colour match any RAL colour
- ◆ **Suitable for Residential and Light Commercial Properties**



Product Update

# ALITHERM 400



Regulation Update

Product Update

**Alitherm 400**

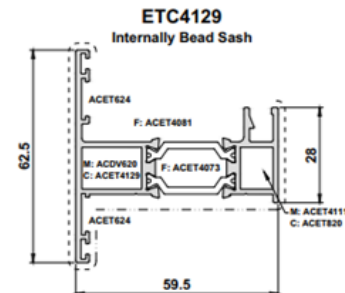
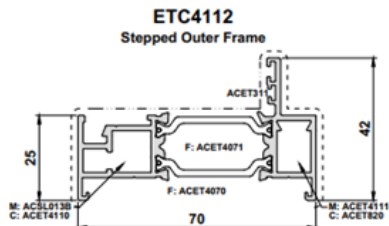
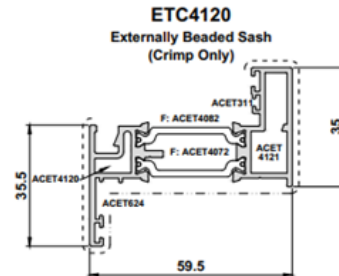
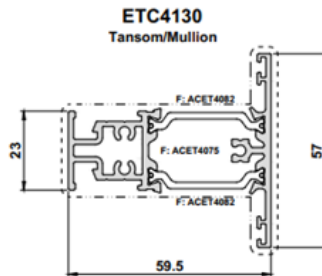
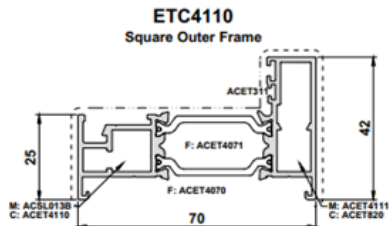
Visofold

Visoglide

3D Living

Doors

## Alitherm 400 Casement Window



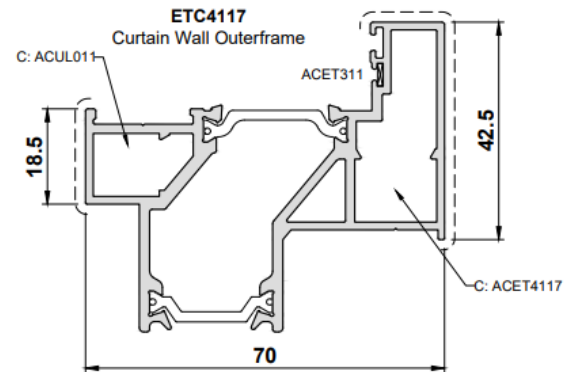
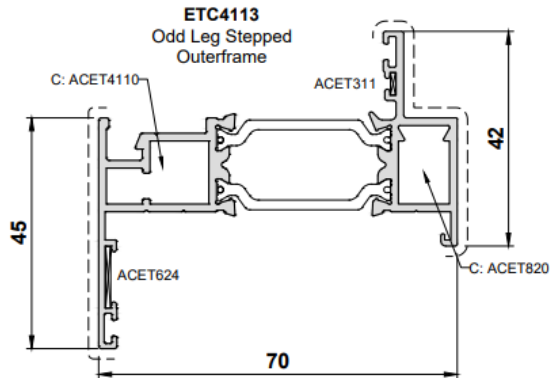
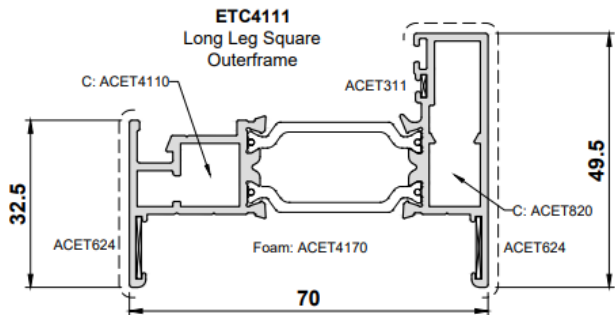


Product Update

# ALITHERM 400



## Alitherm 400 Casement Window Outerframes



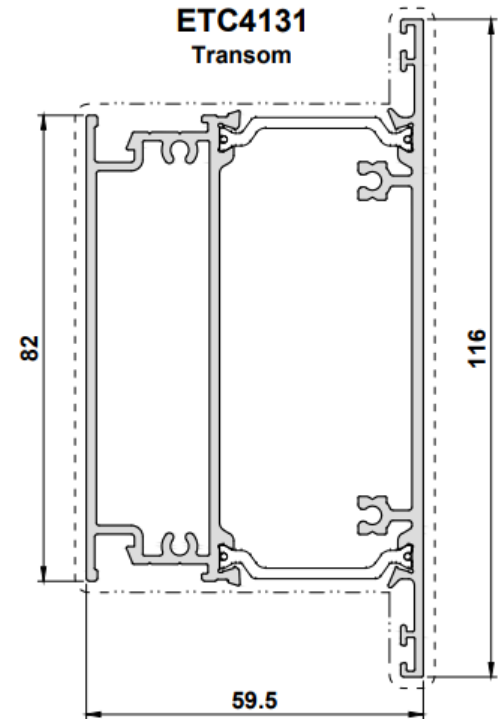
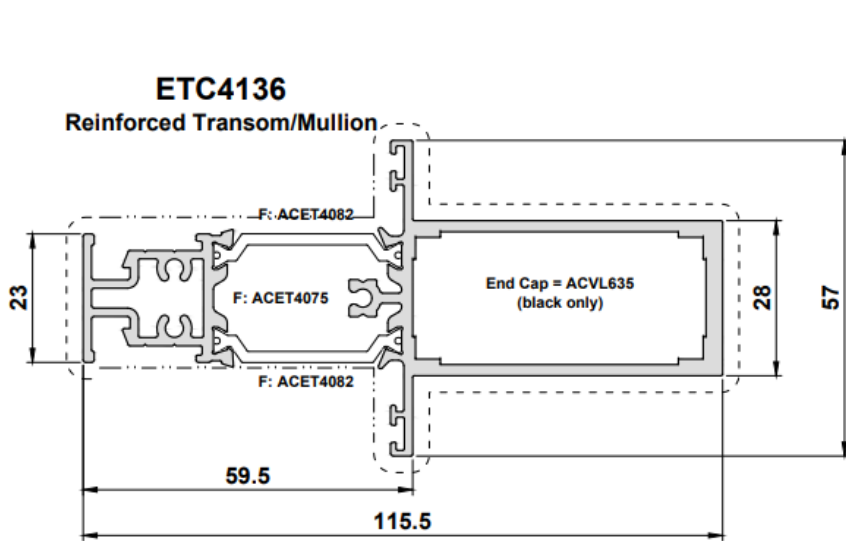




Product Update

# ALITHERM 400

## Alitherm 400 Casement Window – Transom/Mullion





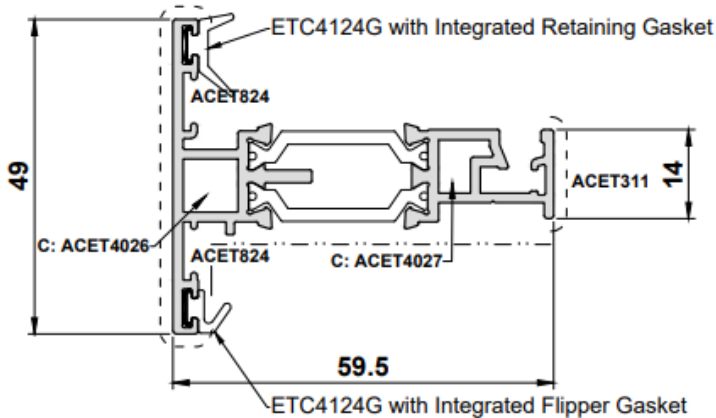
Product Update

# ALITHERM 400

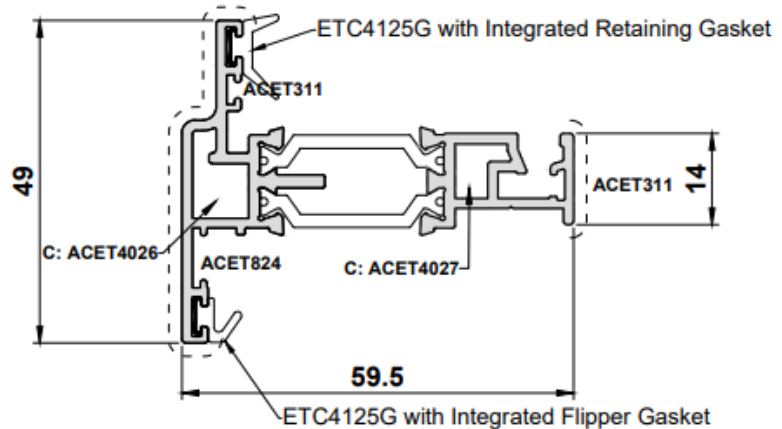


## Alitherm 400 Casement Window – Sash

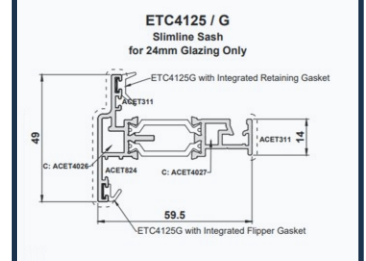
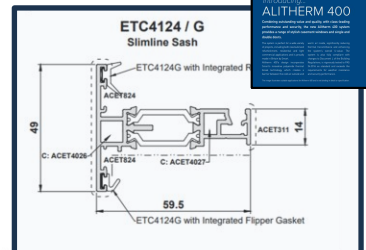
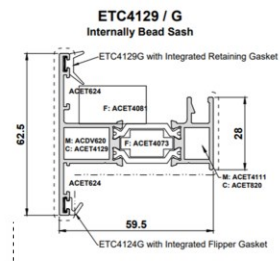
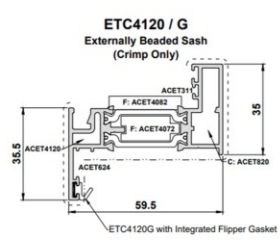
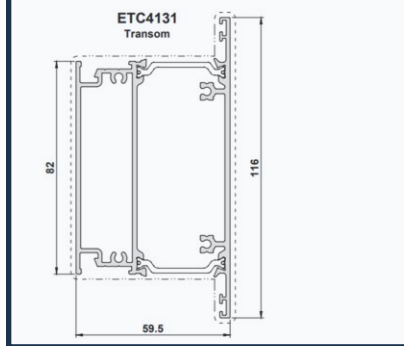
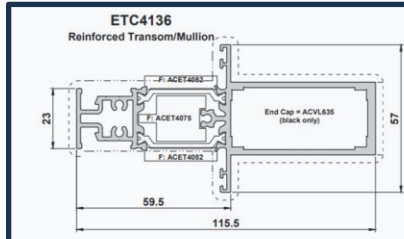
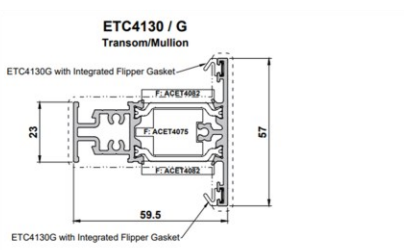
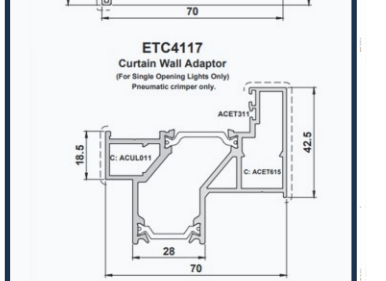
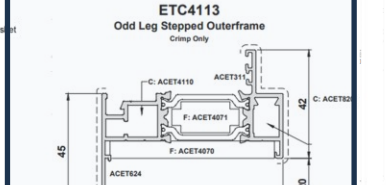
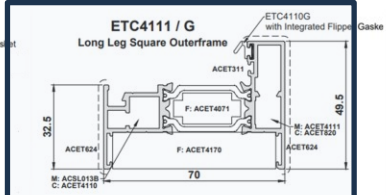
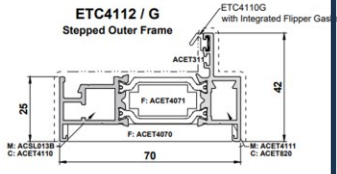
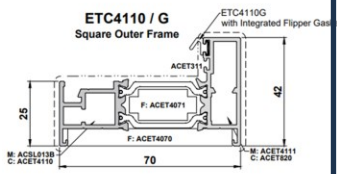
**ETC4124 / G**  
Slimline Sash



**ETC4125 / G**  
Slimline Sash  
for 24mm Glazing Only



# ALITHERM 400

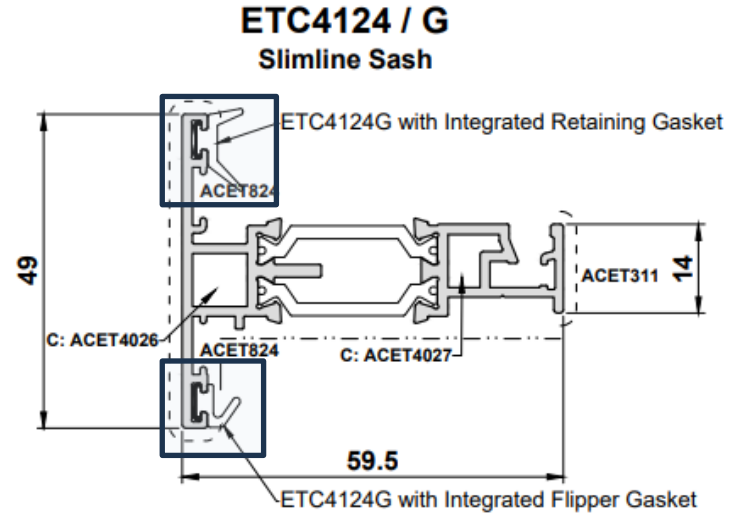
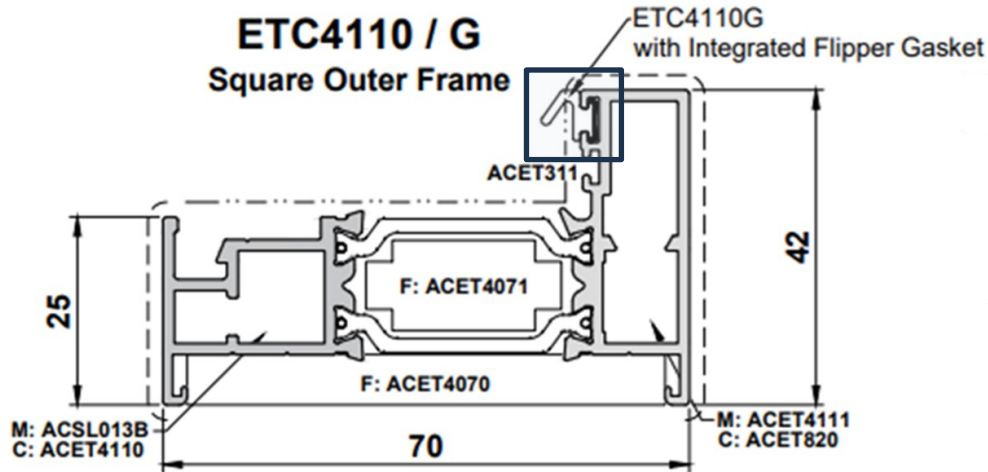






Product Update

# ALITHERM 400



Coextruded Bead Gasket

Sash/Outerframe Gaskets

20% fabrication installation saving

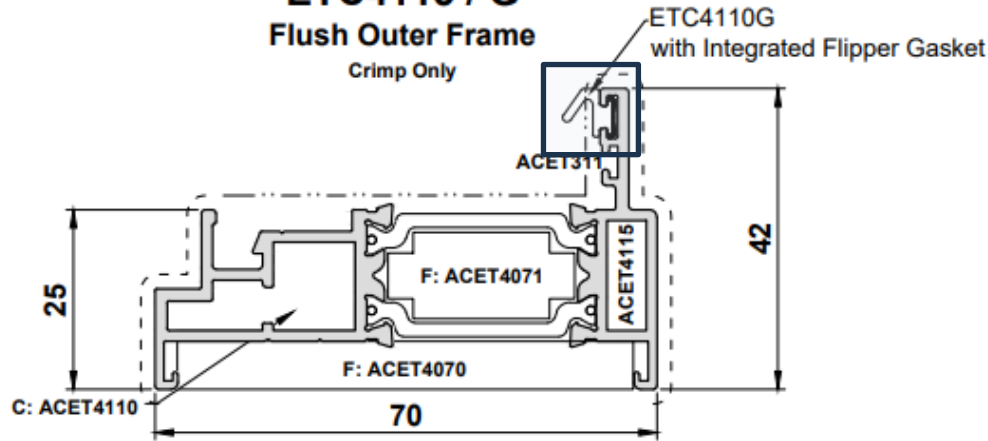


Product Update

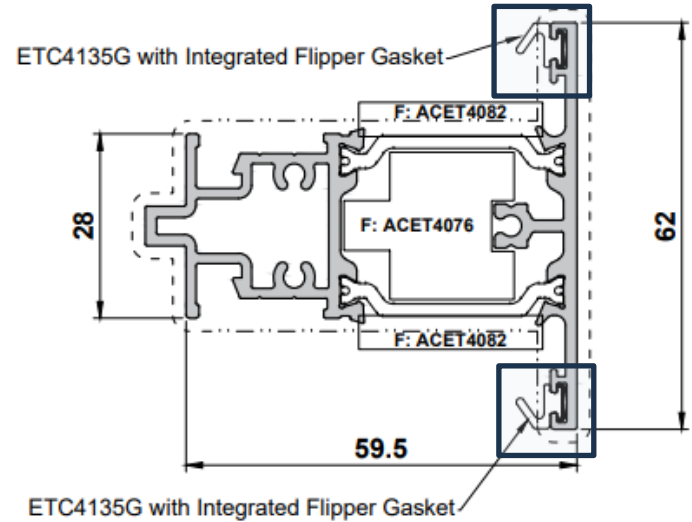
# ALITHERM 400 - FLUSH



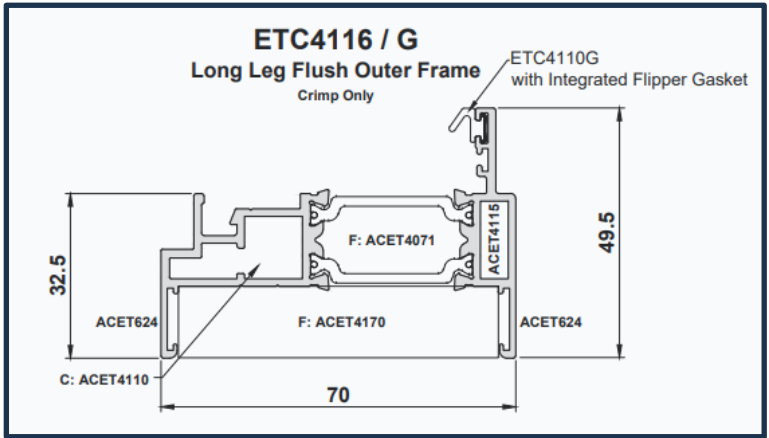
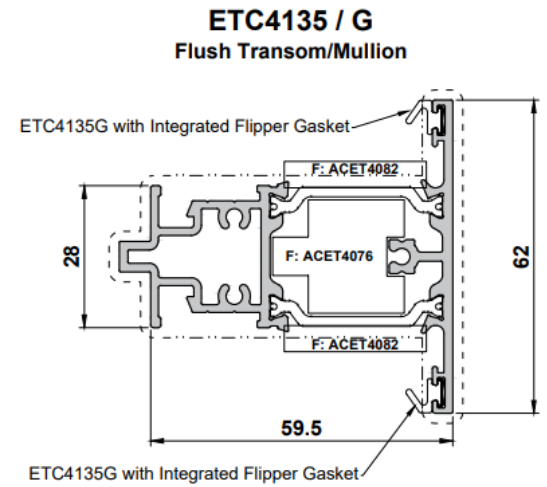
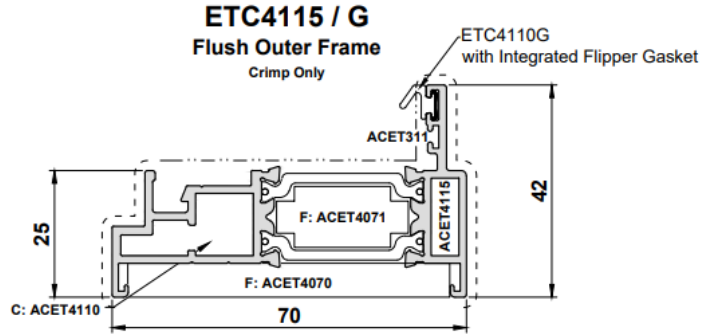
## ETC4115 / G Flush Outer Frame Crimp Only



## ETC4135 / G Flush Transom/Mullion



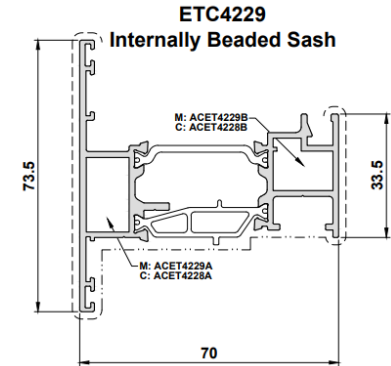
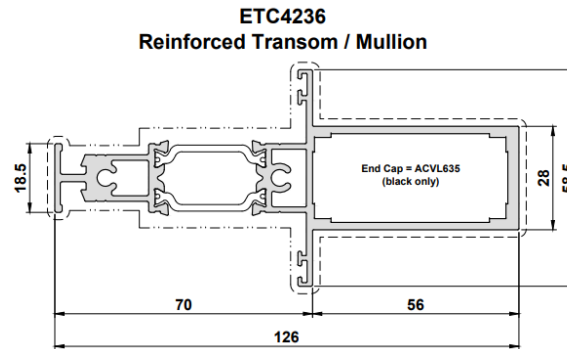
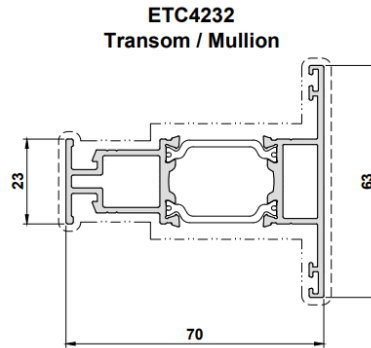
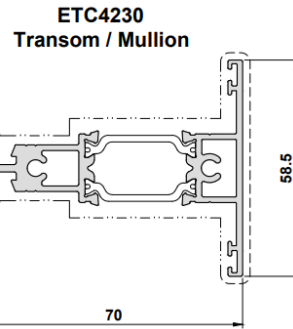
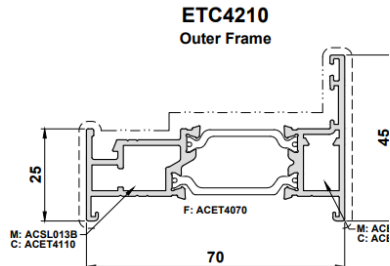
# ALITHERM 400 - FLUSH





Product Update

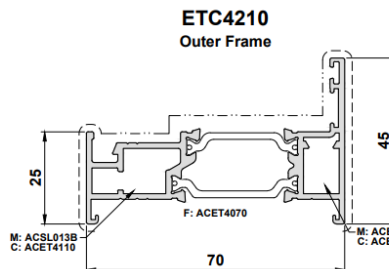
# ALITHERM 400 – HEAVY DUTY







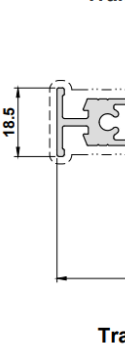
# ALITHERM 400 – HEAVY DUTY



**ETC4230**  
Transom / Mullion

Hinge Code Top Hung	Hinge Length (mm)	Max Vent Weight (kg)	Min Vent Height (mm)	Max Vent Height (mm)	Opening Angle (+/-2.5°)
ACINS10	262	40	315	640	50
ACINS12	313	50	640	800	50
ACINS16	415	65	800	1100	50
ACINS22	567	100	1090	1500	45
ACINS22W	567	100	1500	2000	20
ACINS26	680	180	2000	2500	20
Side Hung	Hinge Length (mm)	Max Vent Weight (kg)	Min Vent Width (mm)	Max Vent Width (mm)	Opening Angle (+/-2.5°)
ACINSSH10	262	38	327	660	85
ACINSSH16	415	55	450	838	60

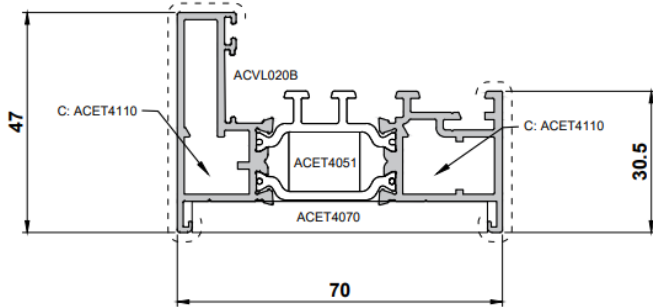
Technical details: The table is associated with ETC4229. A vertical dimension of 33.5 mm is shown on the right side of the table. A horizontal dimension of 126 mm is shown at the bottom of the table.



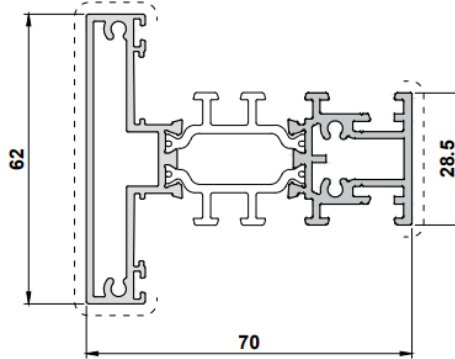
# ALITHERM 400 – TILT TURN



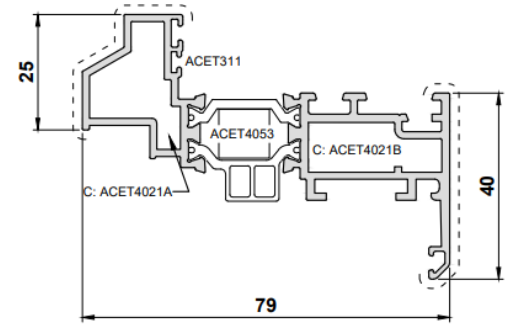
**ETC4011**  
Outer Frame



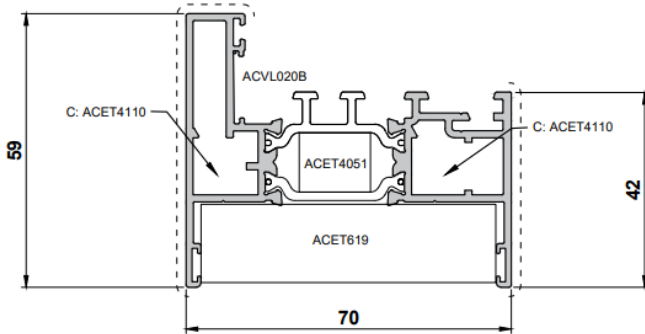
**ETC4031**  
Transom / Mullion



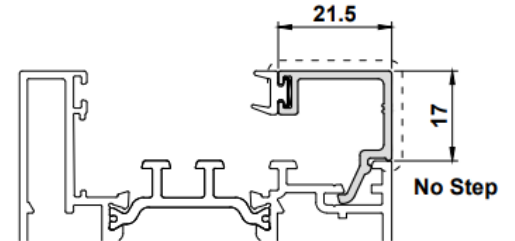
**ETC4021**  
Sash



**ETC4014**  
Long Leg Outer Frame



**ETC4067G**  
28mm Glazing  
Tap In Glazing Bead





Product Update

# ALITHERM 400



Regulation Update

Product Update

**Alitherm 400**

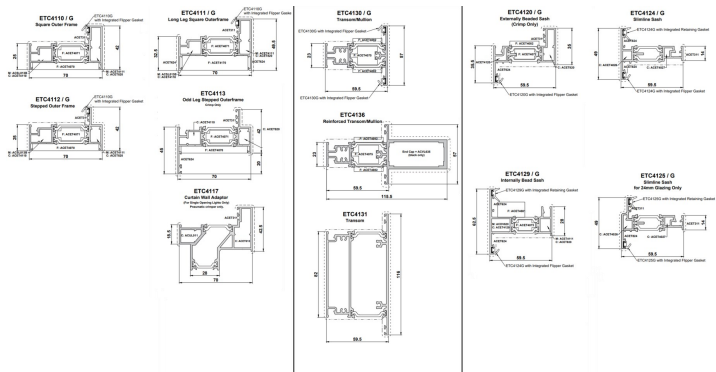
Visofold

Visoglide

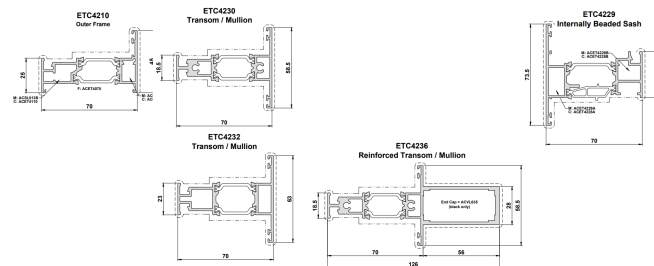
3D Living

Doors

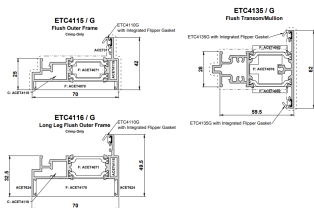
## Casement ETC41XX



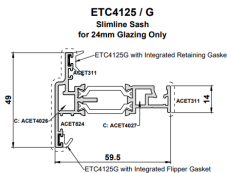
## Heavy Duty ETC42XX



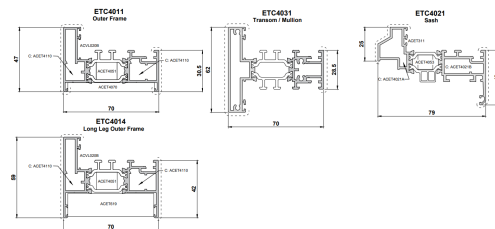
## Flush ETC41XX



## Heritage ETC41XX



## Tilt Turn - ETC40XX





Product Update

# ALITHERM 400

Regulation Update

Product Update

**Alitherm 400**

Visofold

Visoglide

3D Living

Doors





Product Update

# UN3570 HEAD EXTENSION



Regulation Update

Product Update

**Alitherm 400**

Visofold

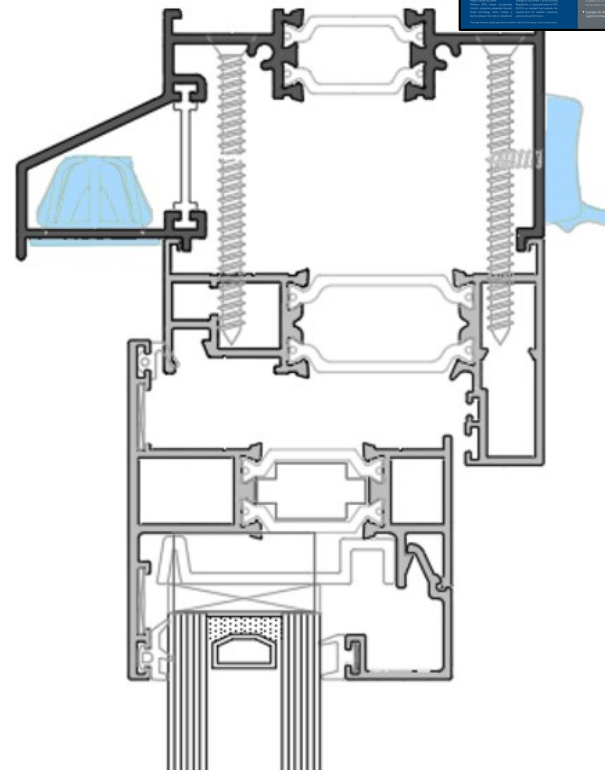
Visoglide

3D Living

Doors

**UN3570**

Trickle Vent Head Extension





Product Update

# UN3080 – BAY POLE



Regulation Update

Product Update

**Alitherm 400**

Visofold

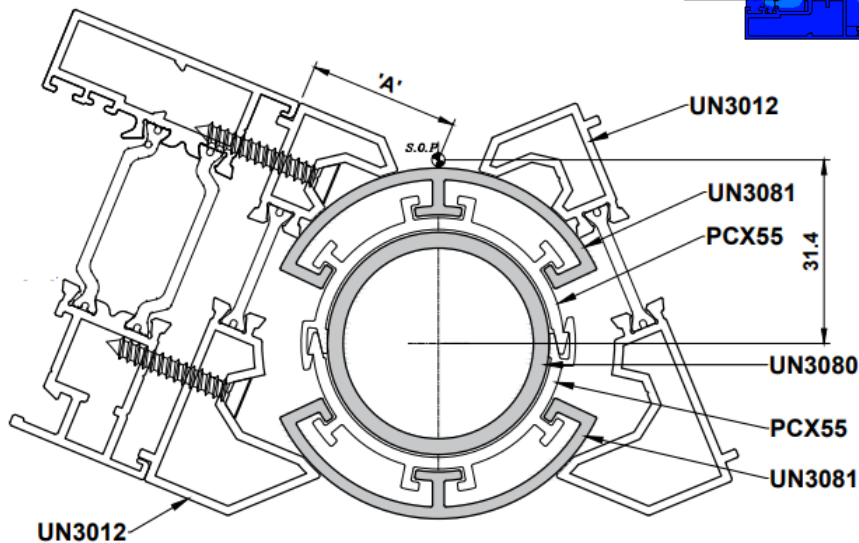
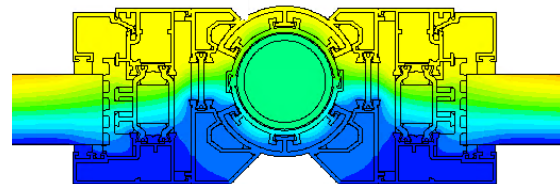
Visoglide

3D Living

Doors

## UN3080

Thermally Broken bay Pole and jack





Product Update

# UN3080 – BAY POLE



Regulation Update

Product Update

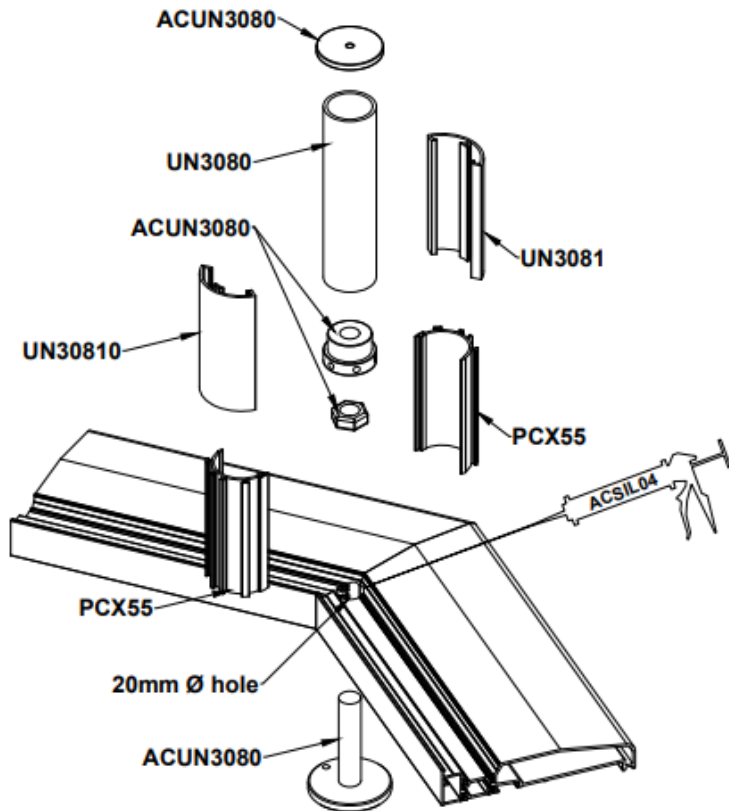
**Alitherm 400**

Visofold

Visoglide

3D Living

Doors



Height (mm)	Load Bearing
1000	Capped at 2 Tonnes
1250	1.5 Tonnes
1500	1.1 Tonnes
1750	0.8 Tonnes
2000	0.6 Tonnes
2250	0.5 Tonnes
2500	0.4 Tonnes



Product Update

# ALITHERM 400 – DOOR



Regulation Update

Product Update

**Alitherm 400**

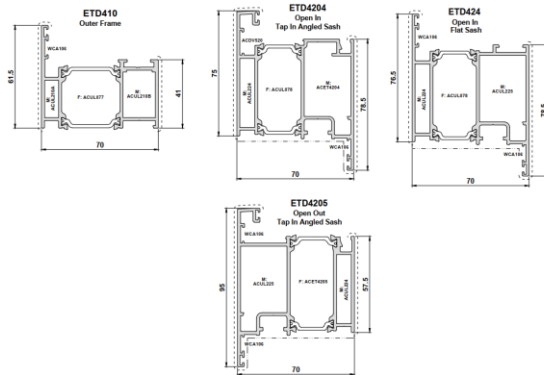
Visofold

Visoglide

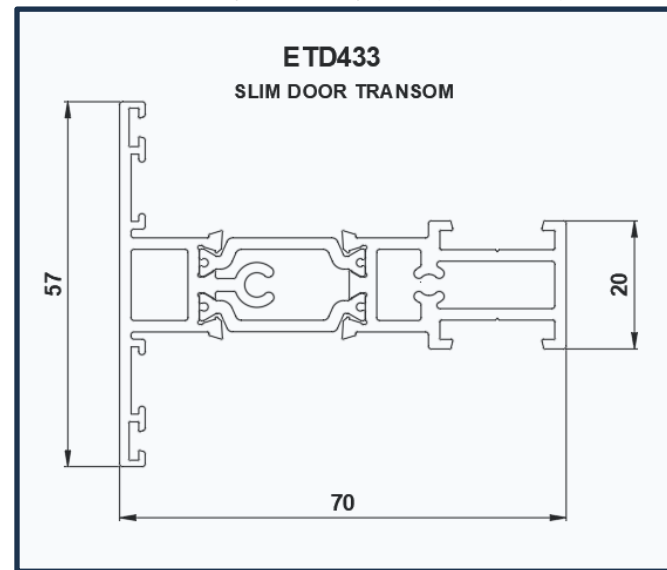
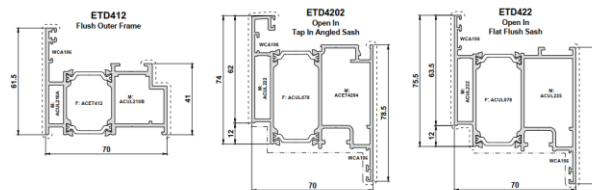
3D Living

Doors

## Stepped Door



## Flush Door







Product Update

# UN3016 - COUPLER



Regulation Update

Product Update

**Alitherm 400**

Visofold

Visoglide

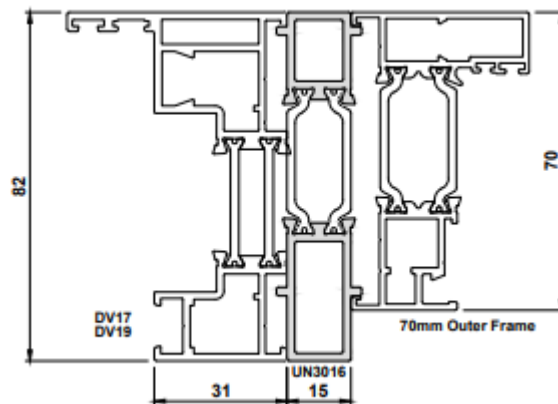
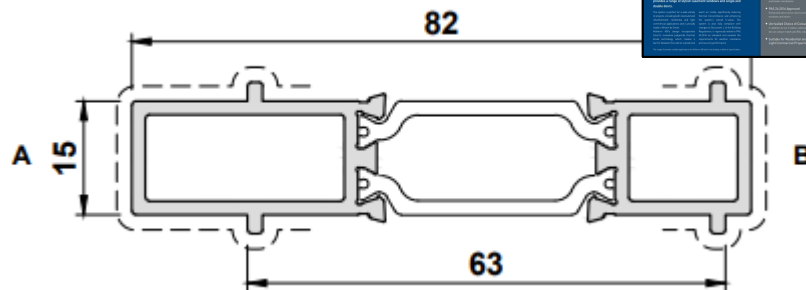
3D Living

Doors

**UN3016**

Universal Coupler

70 to 82





Product Update

# VISOFOLD

Regulation Update

Product Update

Alitherm 400

**Visofold**

Visoglide

3D Living

Doors

**smart**  
architectural aluminium

Proud members of  
**MADE IN BRITAIN**

FEATURING SMART'S NEW  
**QUICK GLAZE BEAD**

*Introducing...*  
**VISOFOLD SERIES**

The Visofold Series of slide-folding doors is suitable for both residential and commercial applications. Each door offers impressive opening apertures that bring together internal and external spaces to create unique living and social areas.

Used in a wide range of projects, from homes, bars and cafes, to car showrooms, offices and restaurants, Visofold doors can create a glazed screen that not only allows in maximum light in any weather, but also easily glides open in warmer weather to completely open up an entire area.

Visofold doors offer a wide choice of opening configurations to suit any application. Sashes can be folded internally or externally, at the side so the sashes all fold one way, at one end, to create a single entrance door for easy access, or in the middle to give the option of a double door.

**DESIGNING PRODUCT SOLUTIONS FOR**

- ✦ The UK's Bestselling Aluminium Slide-Folding Doors Range
- ✦ Smart Quick-Glaze Bead  
Featuring integrated gasket and 'tap-in' design for easier fabrication and faster installation
- ✦ Ultra Slim Sightlines  
From 122mm to just 90mm!
- ✦ Suitable for Residential and Commercial Properties
- ✦ PAS 24:2016 Approved
- ✦ Building Regulations Compliant  
Designed to comply with the provisions of the Building Regulations Document L.

**smart**

**ALITHERM 400**

Introducing ALITHERM 400...  
This is a high performance aluminium window and door system...  
It is designed to provide a long service life...  
It is also designed to be easy to install...  
It is available in a range of finishes...  
It is also available in a range of sizes...  
It is also available in a range of configurations...  
It is also available in a range of options...  
It is also available in a range of accessories...  
It is also available in a range of finishes...  
It is also available in a range of sizes...  
It is also available in a range of configurations...  
It is also available in a range of options...  
It is also available in a range of accessories...



# Product Update VISOFOLD

Regulation Update

Product Update

Alitherm 400

Visofold

Visoglide

3D Living

Doors





# Product Update

# VISOFOLD

Regulation Update

Product Update

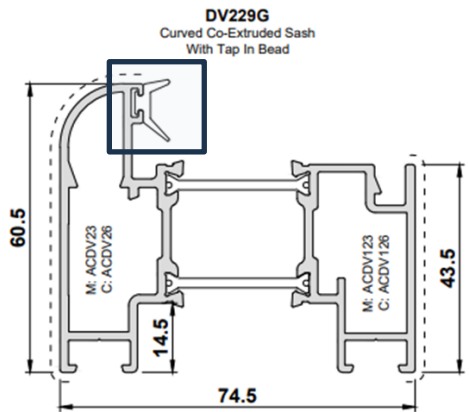
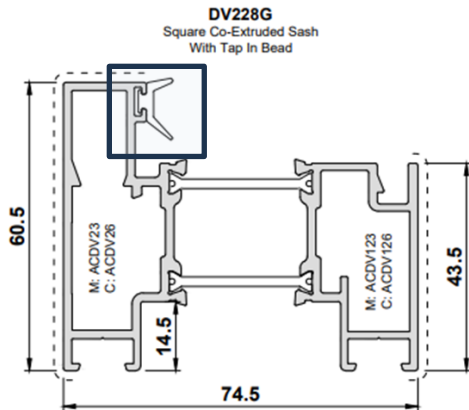
Alitherm 400

Visofold

Visoglide

3D Living

Doors





Product Update

# VISOFOLD



Regulation Update

Product Update

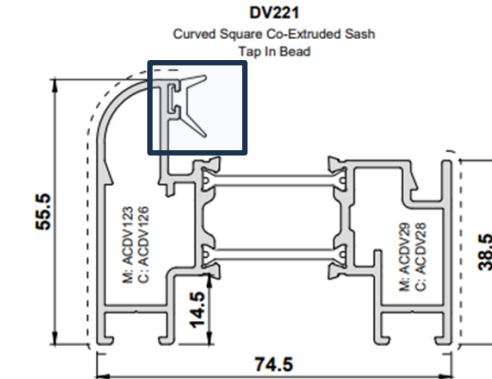
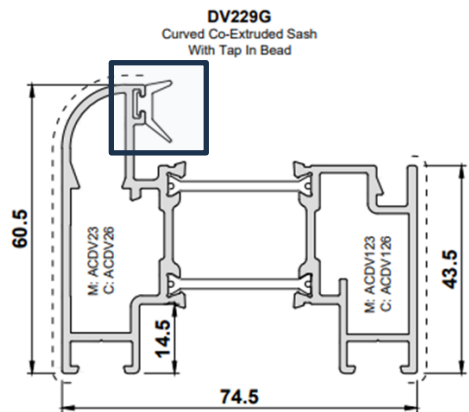
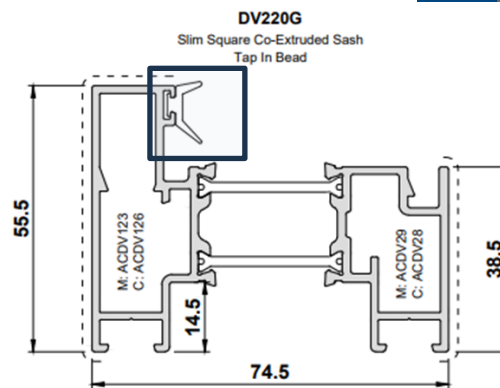
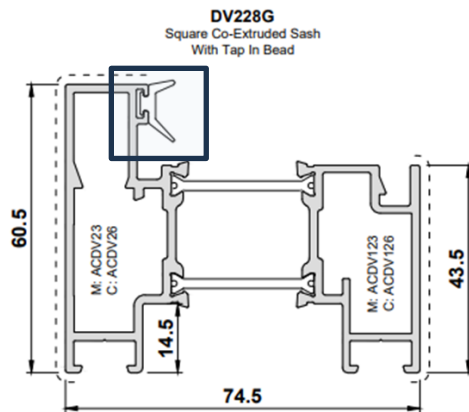
Alitherm 400

**Visofold**

Visoglide

3D Living

Doors





# Product Update VISOFOLD



Regulation Update

Product Update

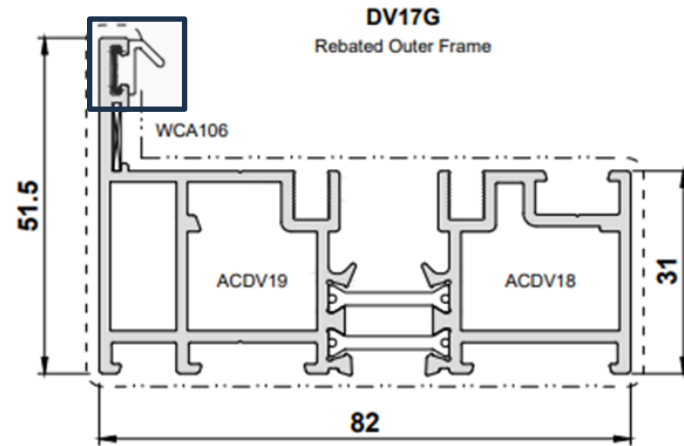
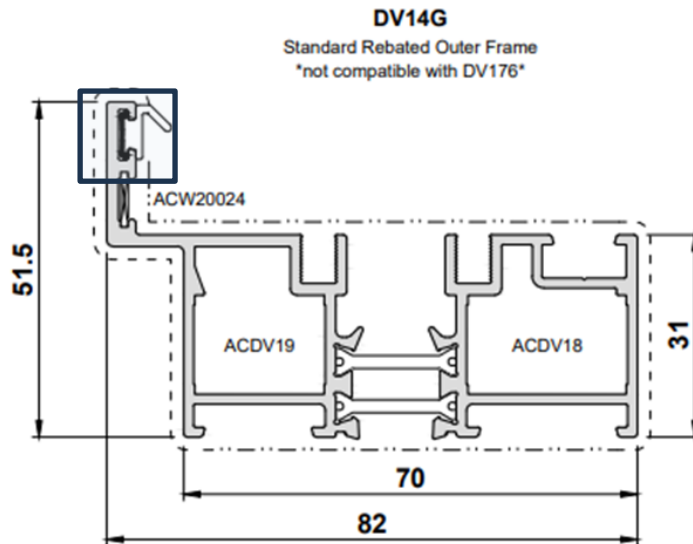
Alitherm 400

**Visofold**

Visoglide

3D Living

Doors





# Product Update VISOFOLD



Regulation Update

Product Update

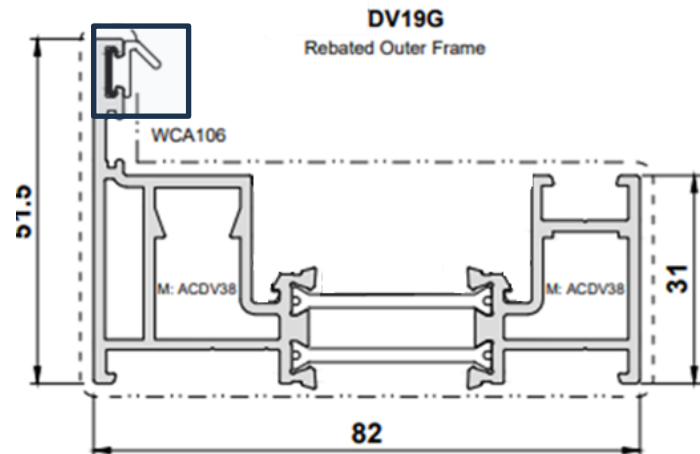
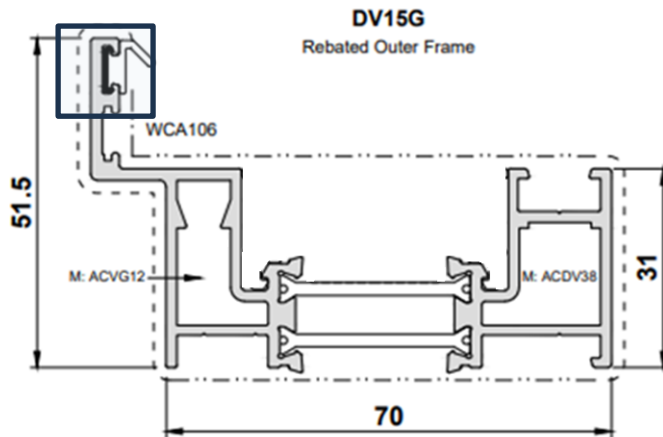
Alitherm 400

**Visofold**

Visoglide

3D Living

Doors





# Product Update VISOFOLD



Regulation Update

Product Update

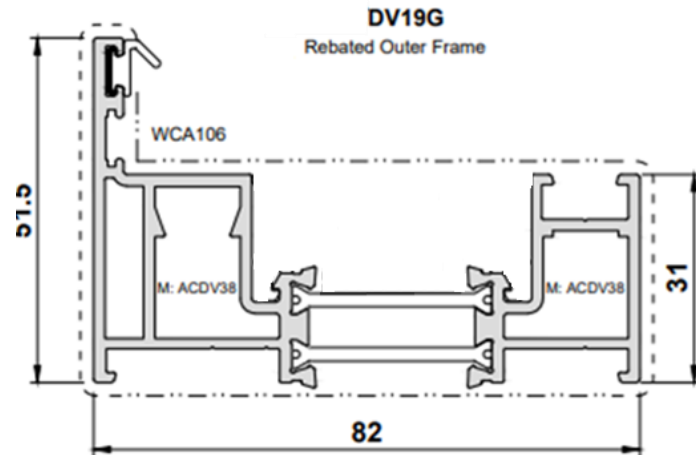
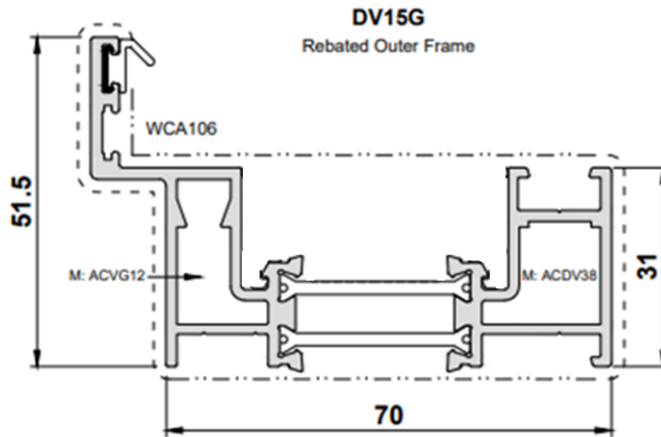
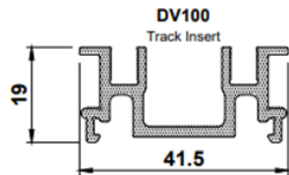
Alitherm 400

**Visofold**

Visoglide

3D Living

Doors







# Product Update VISOFOLD



Regulation Update

Product Update

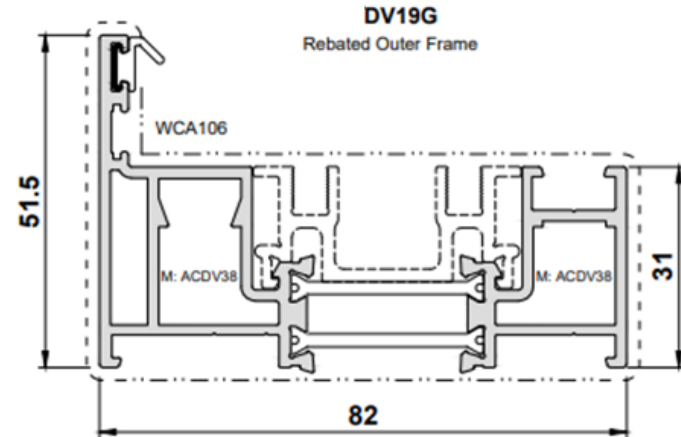
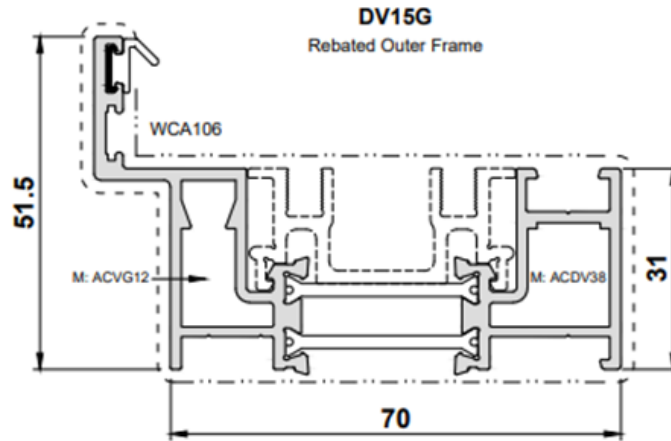
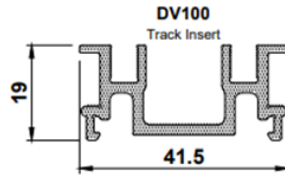
Alitherm 400

**Visofold**

Visoglide

3D Living

Doors





Product Update

# VISO FOLD



Regulation Update

Product Update

Alitherm 400

**Visofold**

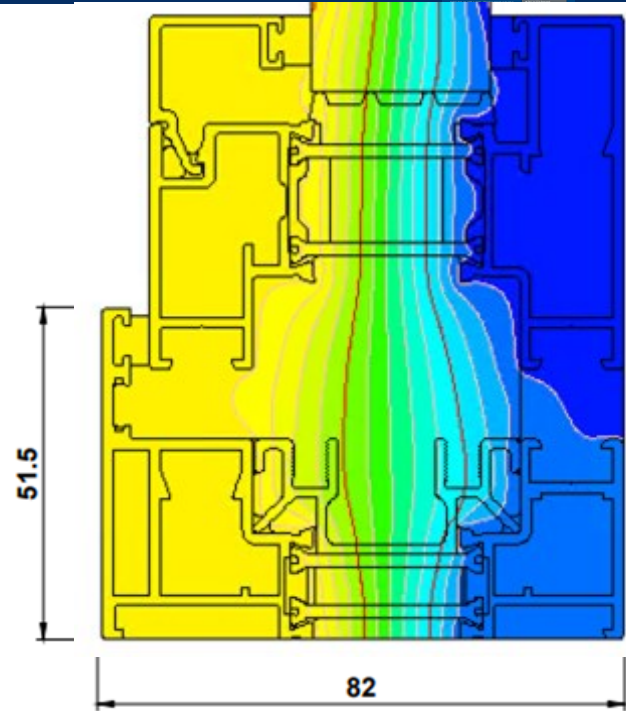
Visoglide

3D Living

Doors

1.4W/m<sup>2</sup>K with  
1.2 Centre Pane

0.9W/m<sup>2</sup>K with  
0.5 Centre Pane





Product Update

# VISOGLIDE+

Regulation Update

Product Update

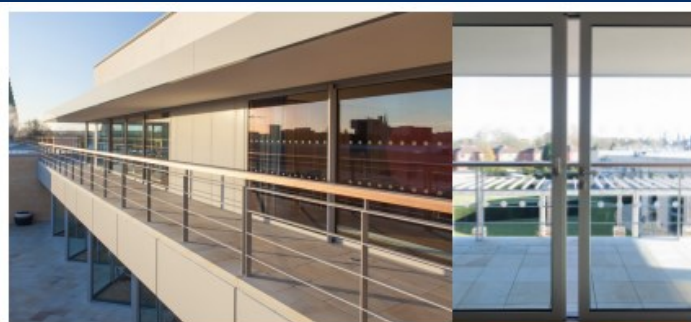
Alitherm 400

Visofold

**Visoglide**

3D Living

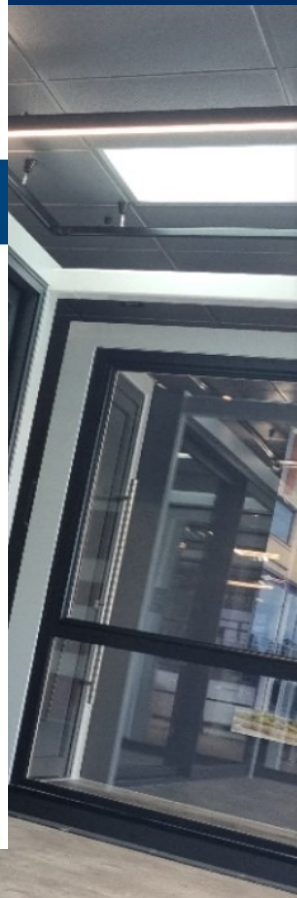
Doors



## Visoglide Plus

Visoglide Plus offers the same contemporary styling and robust performance associated with the system whilst delivering superior thermal performance.

- U Value 1.6 W/m<sup>2</sup>K
- Air Class 3, 600Pa
- Water Class 7a, 300Pa
- Wind Class AE, 2400Pa
- Inline sliding or lift & slide options
- Colour matched accessories now available speak with your supplier for details
- British Standard Kitemarked system achieving: KM 530838 PAS 24:2012





Product Update

# VISOGLIDE+

Regulation Update

Product Update

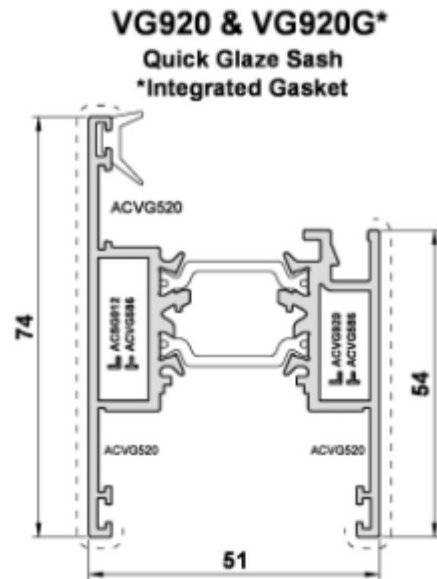
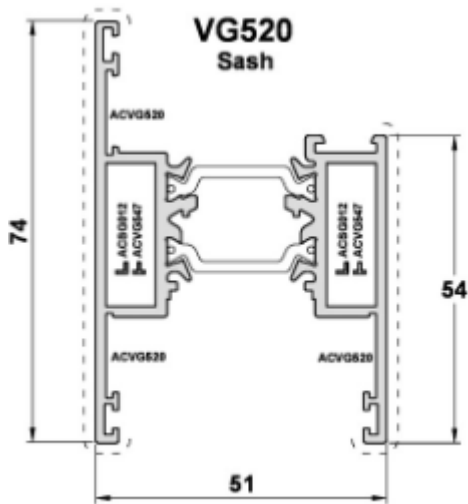
Alitherm 400

Visofold

**Visoglide**

3D Living

Doors





Product Update

# VISOGLIDE+

Regulation Update

Product Update

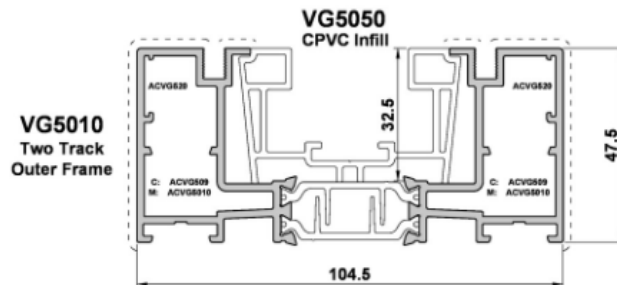
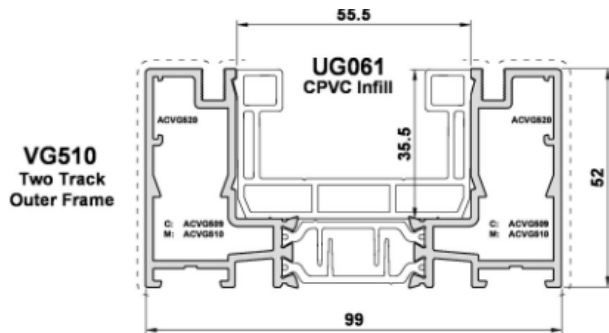
Alitherm 400

Visofold

**Visoglide**

3D Living

Doors





Product Update

# VISOGLIDE+

Regulation Update

Product Update

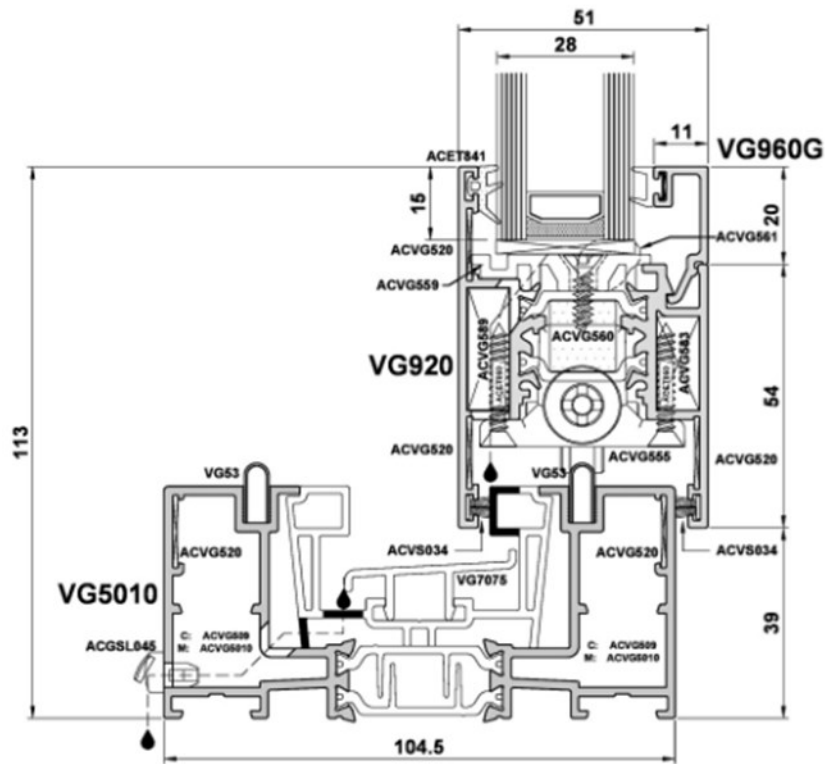
Alitherm 400

Visofold

**Visoglide**

3D Living

Doors



smart



**Visoglide Plus**

Visoglide Plus offers the ultimate combination of design and technical performance associated with the Visoglide aluminium system. Features include:

- 110mm 1.4308Ti
- Acoustic safety
- Wind Class 1a, 20Pa
- Wind Class 2a, 30Pa
- Water Class 3a, 120Pa
- Impact safety up to 3 kJ
- Insect safety up to 3 kJ
- Glass safety up to 3 kJ

Other features include:

- Colour finished aluminium frame solution
- Operate with and without the handle
- British Standard Approved system (BSI)
- See VISOGlide Plus 2022





Product Update

# INVISOGLIDE

Regulation Update

Product Update

Alitherm 400

Visofold

Visoglide

**Invisoglide**

3D Living

Doors







Product Update

# INVISOGLIDE

Regulation Update

Product Update

Alitherm 400

Visofold

Visoglide

**Invisoglide**

3D Living

Doors



smart

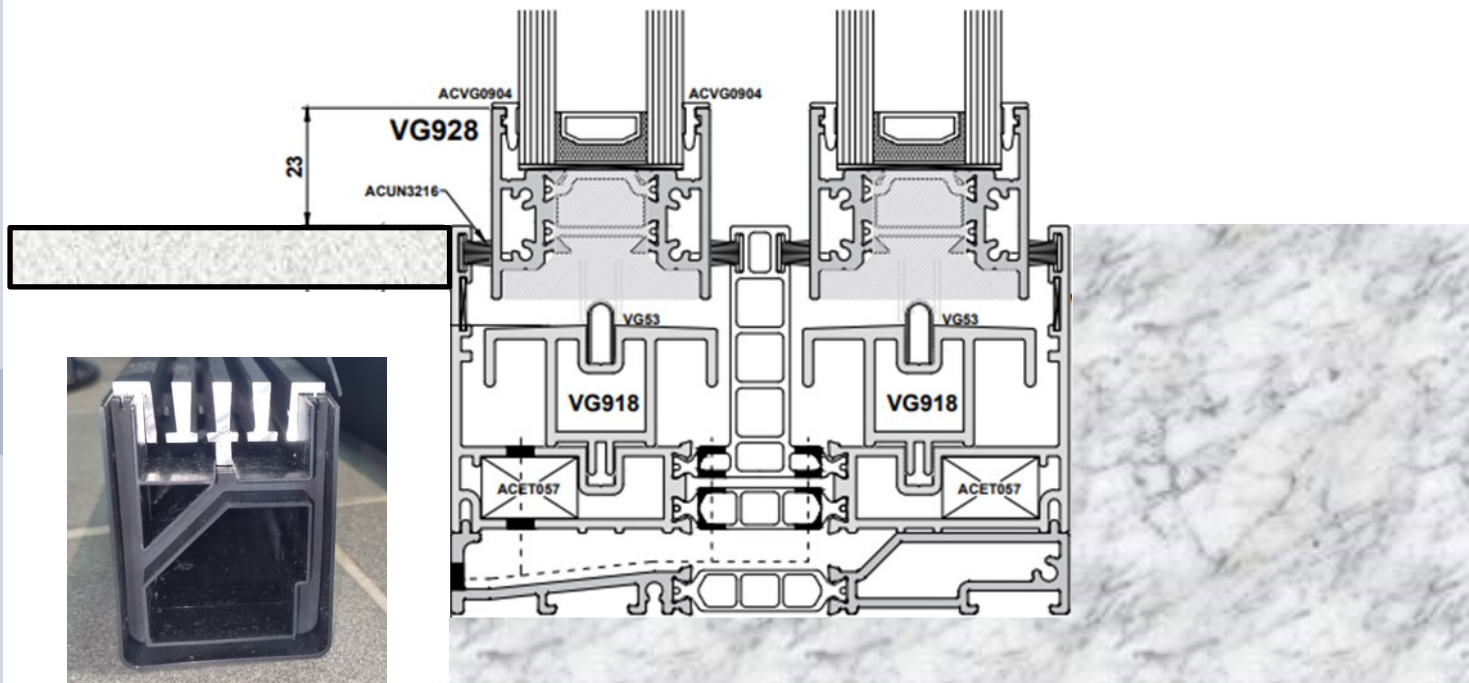


**Visoglide Plus**

Visoglide Plus is the ultimate underground parking and indoor environment separator with the lowest wind resistance thanks to its design and performance.

- Weight 1.5 kg/m²
- Air class 3, ISO 9906
- Wind class 7a, ISO 12484
- Wind class 2, ISO 12484
- Heavy duty for 10 & 15 kPa systems
- Color finished aluminum frame suitable for use with most popular floor finishes
- British Standard Approved system in flooring, see BS EN ISO 14001

ISO 9001 ISO 14001





Product Update

# INVISOGLIDE

Regulation Update

Product Update

Alitherm 400

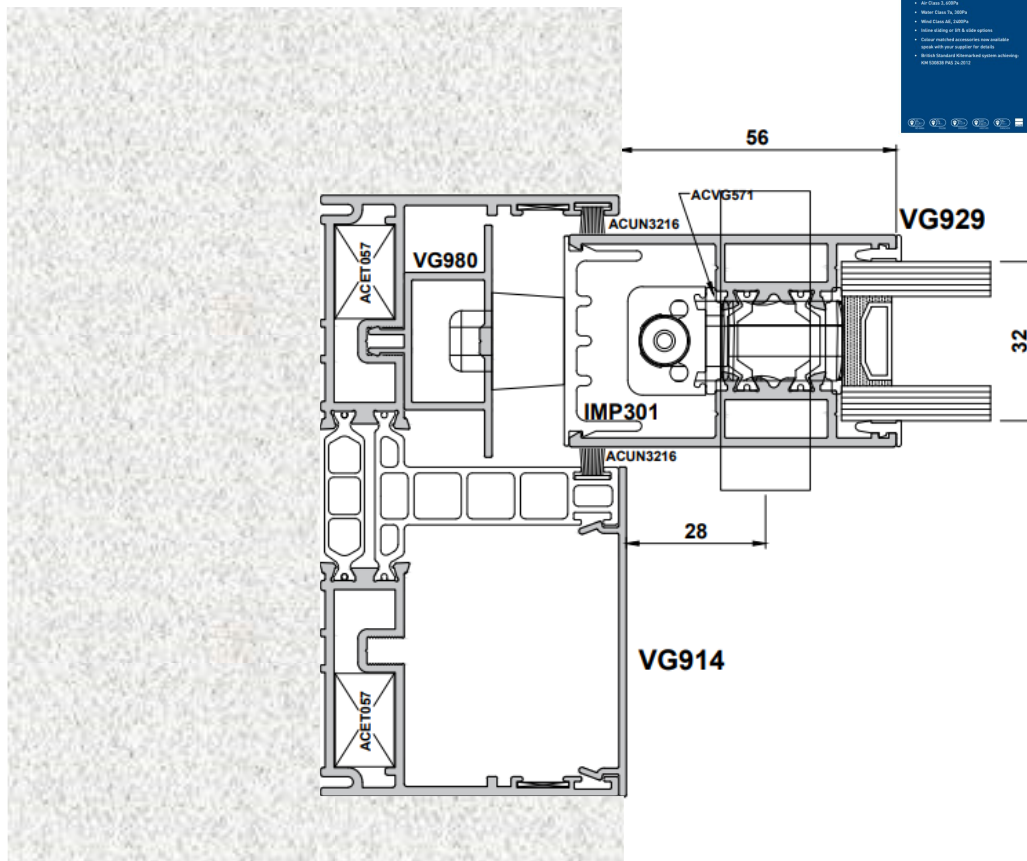
Visofold

Visoglide

**Invisoglide**

3D Living

Doors



smart

**Visoglide Plus**

Visoglide Plus is the ultimate combination of design and technical performance, designed with the latest smart technology to ensure superior performance.

- 11 Year 1.5 Year\*
- Air Tight 1.500Pa
- Water Class 1a, 300Pa
- Wind Class 4, 2000Pa
- Impact Rating of 10 & 5kpa systems
- Color finished aluminium frame suitable with and without the glass
- British Standard 6399 certified system in finishing

100% 100% 100% 100%





Product Update

# ALIVER ROOF



Regulation Update

Product Update

Alitherm 400

Visofold

Visoglide

**Aliver Roof**

3D Living

Doors



**smart**  
architectural aluminium

### Aliver Rooflight

Bringing natural light into the home all year round, the high-performance, high quality Aliver Rooflight system is a fast, flat solution which creates a contemporary look for any property.

Providing exceptional thermal insulation, light transmission and noise reduction, the system has been designed to accept both double and triple glazed units.

Featuring an elegant and unobtrusive aluminium frame and a unique, concealed fixing system which makes the rooflight fast and easy to install, the system has also been designed such that the glazing unit may be taken out of the frame and replaced, without the frame itself having to be removed, providing a durable, cost-effective and long-life solution.

**Finish**  
Single or dual colour, powder coated powder and anodised.  
(Powder Coatings approved for separately)

**Technical Performance**  
**U-value** 1.000W/m<sup>2</sup> (centre pane glass and frame)

**Design Limitations**  
The below limitations are a guide only based on a maximum glass and thickness of 20mm. All components for glass and design measures for double and triple glass rooflight.

**Glazing**  
All glazing to 20mm sealed units.

**Rectangular Size Limits**  
**Max Length** 2000mm  
**Max Width** 1000mm

**Square Size Limits**  
**Length** 1000mm  
**Max Width** 1000mm

Rooflight glazing units comply with the maximum safety BS EN 1865, T1 & T2.17.  
\* All glazing must be tested to CE mark requirements. Please see our website for glazing details.

**Smart Systems Limited**  
Aliver, Viso, Visoglide, Alitherm  
Surrey, GU24 0JG, UK  
www.smartaluminium.co.uk

Tel: +44 (0)1753 875 100  
Fax: +44 (0)1753 875 101  
www.smartaluminium.co.uk

The design, manufacture and sales shown in this brochure are for illustrative purposes only and are not intended to be used without modification. All measurements shown herein are to the best of our knowledge and are subject to change without notice. We do not warrant that the information contained herein is accurate, complete or up to date. We do not warrant that the information contained herein is accurate, complete or up to date. We do not warrant that the information contained herein is accurate, complete or up to date.





Product Update

# ALIVER ROOF



Regulation Update

Product Update

Alitherm 400

Visofold

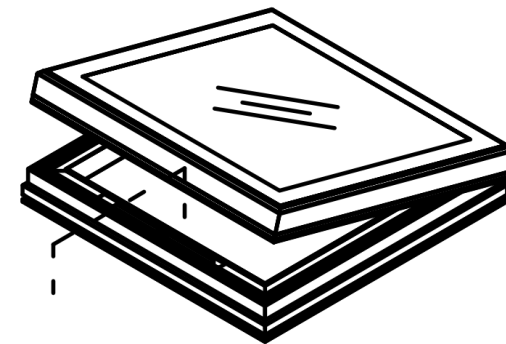
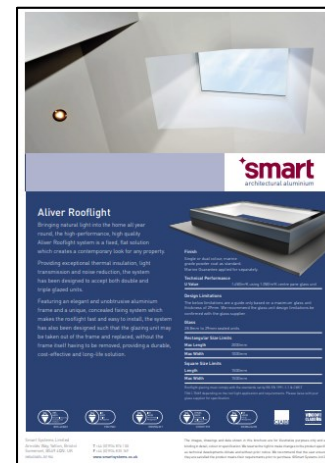
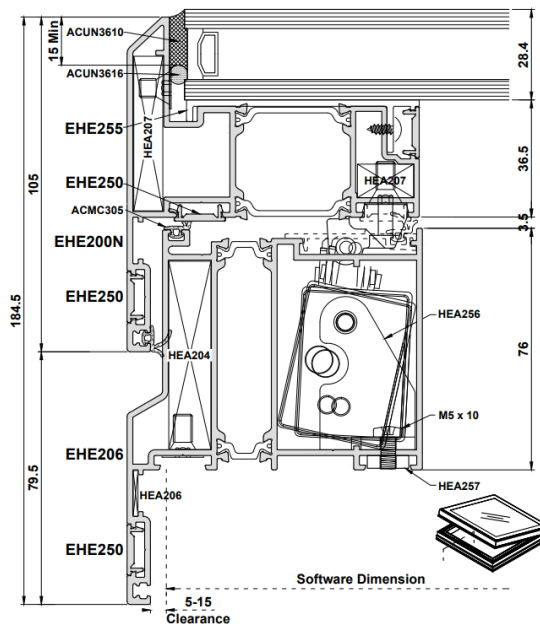
Visoglide

**Aliver Roof**

3D Living

Doors

## Aliver Roof light





# Product Update VISOTHERM

Regulation Update

Product Update

Alitherm 400

Visofold

Visoglide

**Visotherm**

3D Living

Doors





Proud members of





*Introducing...*

## VISOTHERM

The new high-quality, high-performance Visotherm window and door ranges have been introduced to enhance Smart's established systems portfolio, with the range having been developed to provide optimal levels of thermal performance using double or triple glazed sealed units.

The system is the ideal choice for both new build and refurbishment commercial and residential projects, where optimum performance and outstanding thermal performance are specified.

Visotherm is manufactured by Smart in Britain and is available in a choice of standard and non-standard colours, with single and dual colour options including Smart's own Natural, Serenitas, Alchemy and Cosmosid colour ranges.

The image illustrates suitable applications for Visotherm and is not binding in detail or specification.

### DESIGNING PRODUCT SOLUTIONS FOR

- + New Polyamide Thermal Break Profile features new polyamide straps produced with the latest low tarbitolu material.
- + Window options  
Open-out, top-hung, side-hung and fixed casement
- + Door options  
Open-in or open-out single and double door options
- + Suitable for residential and commercial applications
- + Typical U-values from 1.3 W/m<sup>2</sup>K (using 1.0 W/m<sup>2</sup>K centre panel)
- + PAS 24:2016 specification as standard
- + British Standard Kitemark
- + Low maintenance



Product Update

# VISO THERM 80MM



Regulation Update

Product Update

Alitherm 400

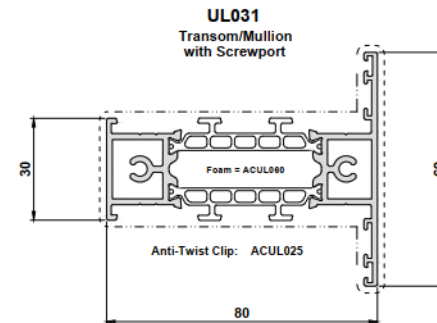
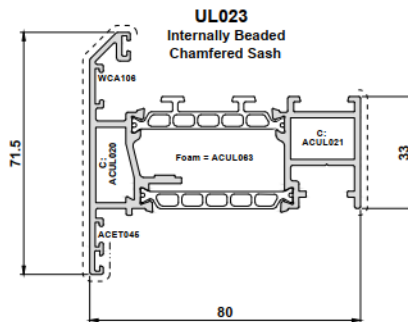
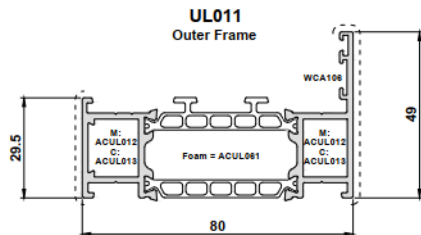
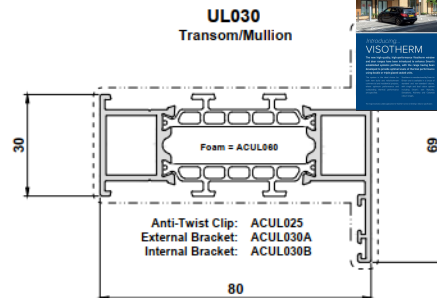
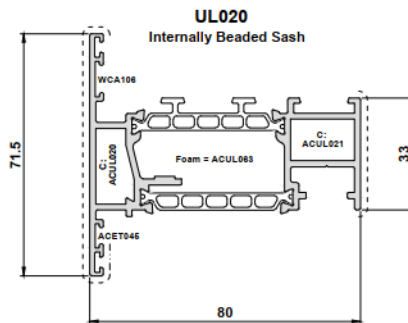
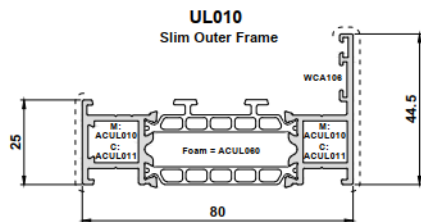
Visofold

Visoglide

**Visotherm**

3D Living

Doors





Product Update

# GENESIS 90MM



Regulation Update

Product Update

Alitherm 400

Visofold

Visoglide

**Genesis**

3D Living

Doors



## GENESIS 90



**window system**

### GENESIS 90 (GP90)

- Modern aluminum system designed for the construction of windows with increased thermal insulation, meets the requirements of the Passive House Institute certificate for structures with thermal insulation Uw<0.8 W/m<sup>2</sup>K.
- The system is designed to meet the highest thermal requirements for shop windows and window installations in Poland, Europe and worldwide. It meets the requirements for components used in passive construction. The Genesis 90 system is certified by the Passive House Institute in Darmstadt (PHI).
- There are 3 thermal variants available:
  - standard (no insulation)
  - "I" version, insulation around the glass pane
  - "II" version with insulation inside the profiles and around the glass pane
- The solution uses a 55 high chamber-type thermal spacer made of a material with increased thermal insulation performance.
- The central gasket is available in 2 versions: standard and equipped with a thermal insert (made of heat resistant XPET material).
- Available very narrow profiles with 15 mm high glazing beads.
- The system offers a large number of profiles of frames, sashes, posts adapted to static requirements.
- The maximum height of window sashes is 3 m, with the maximum weight of the sashes of 180 kg
- Available different types of window profiles integrated with window sills, possibility of using concealed drainage for frames, sashes and battens plates.
- Wide range of different types of extensions, available reinforcements that are screwed to or integrated with profiles, expansion joint profiles.
- It is possible to use "Euro-groove" hardware, with a hinged part visible or concealed, compatible with hardware available in stock and from other manufacturers.







Product Update

# GENESIS 90

Regulation Update

Product Update

Alitherm 400

Visofold

Visoglide

**Genesis**

3D Living

Doors

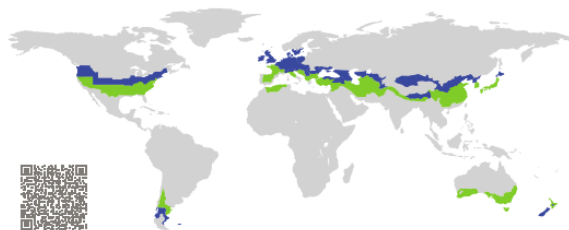
<b>U Value: Certificate</b> Window U Value - In accordance with Approved Document L	
<b>U Value</b> <b>0.7 W/m<sup>2</sup>K</b>	
<b>WER:</b>	Window Energy Rating: 196.74((1-f <sub>g</sub> )/g <sub>gl</sub> ) - 68.5 x (U + (0.0165 x (1-f <sub>g</sub> )/g <sub>gl</sub> ))
<b>Thermal Transmittance:</b>	WER U Value of window calculated using the Whole window U Value with frame, glazing and Standard window configuration set out by BS EN ISO 10077-2 0.358+0.283+0.107
<b>Frame:</b>	Supplier: Smart Architectural System: Genesis 90 Aliplast Outer Frame: G70DF (0.760) Vent Frame: G70VF (0.760) Transom Mullion: G70TM (0.760) Heat Transfer: Uf 0.775 W/m <sup>2</sup> K x (1-f <sub>g</sub> )
<b>Glazing:</b>	Supplier: Pilkington Specification: 4118/416/4 Optiflow Centre Pane, g Value: 0.527 W/m <sup>2</sup> K, 0.33 Heat Transfer: CP 0.527 W/m <sup>2</sup> K x (1-f <sub>g</sub> )
<b>Spacer:</b>	Supplier: Edgetech Spacer Bar: Super Spacer Premium Heat Transfer: Psi 0.030 W/mK x (1-f <sub>g</sub> )
<b>U Value:</b>	Window U Value: Calculation to Document L 2021 1.23m(±25%)
<small>Calculated in accordance with UK Building Regulations Document L and BR443 BS EN ISO 10077-2. Thermal performance of windows, doors and shutters. Calculation of thermal transmittance. Part 2. Numerical method for frames</small>	

## CERTIFICATE

Certified Passive House Component

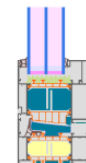
Component-ID 1909wI03 valid until 31st December 2023

Passive House Institute  
Dr. Wolfgang Feist  
64283 Darmstadt  
Germany



Category: **Window Frame**  
 Manufacturer: **Aliplast Sp. z o.o., LUBLIN, Poland**  
 Product name: **GENESIS 90**

This certificate was awarded based on the following criteria for the cool, temperate climate zone



Comfort  $U_{w} = 0.80 \leq 0.80 \text{ W/(m}^2 \cdot \text{K)}$   
 $U_{w, \text{ installed}} \leq 0.85 \text{ W/(m}^2 \cdot \text{K)}$   
 with  $U_{g} = 0.70 \text{ W/(m}^2 \cdot \text{K)}$

Hygiene  $f_{\text{Ra}} \geq 0.25$



Passive House efficiency class  
 phE phD phC **phB** phA

[www.passivehouse.com](http://www.passivehouse.com)

90







Product Update

# INDOOR LIVING

Regulation Update

Product Update

Alitherm 400

Visofold

Visoglide

Aliver Roof

Visootherm

Genesis

3D Living

**smart**  
MADE IN BRITAIN

introducing **ALITHERM 400**

Combining outstanding thermal and acoustic performance with security, the new Alitherm 400 offers a range of multi-point operation and a range of double doors.

**DESIGNING PRODUCT SOLUTIONS FOR:**

- Energy Performance Certificate (EPC) and Building Regulations
- Energy Efficient Windows (EEW) and Energy Efficient Windows Indicators (EEWI)
- Part L 2013 compliance
- Acoustic Performance
- Security
- Compliance with CE Marking
- Compliance with CE Marking
- Compliance with CE Marking

**smart**  
MADE IN BRITAIN

introducing **VISOFOLD SERIES**

The Visofold Series of double doors offers a range of thermal and acoustic performance. Each door offers a range of multi-point operation and a range of double doors to create an open living and social area.

**DESIGNING PRODUCT SOLUTIONS FOR:**

- Energy Performance Certificate (EPC) and Building Regulations
- Energy Efficient Windows (EEW) and Energy Efficient Windows Indicators (EEWI)
- Part L 2013 compliance
- Acoustic Performance
- Security
- Compliance with CE Marking
- Compliance with CE Marking
- Compliance with CE Marking

**smart**

**Visoglide Plus**

Visoglide Plus offers the same contemporary styling and thermal performance associated with the system whilst delivering superior thermal performance.

- U-Value 1.4 W/m<sup>2</sup>K
- Air Class 3, A010A
- Water Class 3a, 200Pa
- Wind Class 4C, 240Pa
- Glass Strength of 8 & 10mm options
- Coloured finished accessories now available
- Special anti-rattle equipment for double doors
- British Standard Aluminium system engineering

EN ISO 9001 PAS 24:2012

**smart**

**Aliver Rooflight**

Aliver Rooflight offers the benefits of a skylight in a ceiling, with a range of sizes and finishes. The rooflight is made from a high quality, durable material and is designed to be a perfect fit for your ceiling.

**DESIGNING PRODUCT SOLUTIONS FOR:**

- Energy Performance Certificate (EPC) and Building Regulations
- Energy Efficient Windows (EEW) and Energy Efficient Windows Indicators (EEWI)
- Part L 2013 compliance
- Acoustic Performance
- Security
- Compliance with CE Marking
- Compliance with CE Marking
- Compliance with CE Marking

**smart**  
MADE IN BRITAIN

introducing **VISOOTHERM**

The new high quality, high performance Visootherm double and triple doors have been designed to deliver superior thermal and acoustic performance, with the triple living being designed for a range of double and triple doors.

**DESIGNING PRODUCT SOLUTIONS FOR:**

- Energy Performance Certificate (EPC) and Building Regulations
- Energy Efficient Windows (EEW) and Energy Efficient Windows Indicators (EEWI)
- Part L 2013 compliance
- Acoustic Performance
- Security
- Compliance with CE Marking
- Compliance with CE Marking
- Compliance with CE Marking

**GENESIS 90**

**Genesis 90 (90PRO)**

Genesis 90 (90PRO) offers the same contemporary styling and thermal performance associated with the system whilst delivering superior thermal performance.

- U-Value 1.4 W/m<sup>2</sup>K
- Air Class 3, A010A
- Water Class 3a, 200Pa
- Wind Class 4C, 240Pa
- Glass Strength of 8 & 10mm options
- Coloured finished accessories now available
- Special anti-rattle equipment for double doors
- British Standard Aluminium system engineering

EN ISO 9001 PAS 24:2012



Product Update

# INDOOR LIVING

Regulation Update

Product Update

Alitherm 400

Visofold

Visoglide

Aliver Roof

Visootherm

Genesis

3D Living

**smart** MADE IN BRITAIN

**introducing ALITHERM 400**

Combining performance, sleek look and style, with low-maintenance performance and security, the new Alitherm 400 opens up a new range of multi-layered aluminium and glass window and door options.

**DESIGNING PRODUCT SOLUTIONS FOR:**

- Modern Residential Construction
- Commercial Construction
- Specialist Architectural Design
- Specialist Residential Construction
- Specialist Commercial Construction
- Specialist Industrial Construction
- Specialist Agricultural Construction
- Specialist Marine Construction
- Specialist Healthcare Construction
- Specialist Education Construction
- Specialist Government Construction
- Specialist Military Construction
- Specialist Aviation Construction
- Specialist Space Construction
- Specialist Defence Construction
- Specialist Security Construction
- Specialist High Security Construction
- Specialist High Performance Construction
- Specialist High End Construction
- Specialist High Quality Construction
- Specialist High Value Construction
- Specialist High End Residential Construction
- Specialist High End Commercial Construction
- Specialist High End Industrial Construction
- Specialist High End Agricultural Construction
- Specialist High End Marine Construction
- Specialist High End Healthcare Construction
- Specialist High End Education Construction
- Specialist High End Government Construction
- Specialist High End Military Construction
- Specialist High End Aviation Construction
- Specialist High End Space Construction
- Specialist High End Defence Construction
- Specialist High End Security Construction
- Specialist High End High Security Construction
- Specialist High End High Performance Construction
- Specialist High End High Quality Construction
- Specialist High End High Value Construction

**smart** MADE IN BRITAIN

**introducing VISOFOLD SERIES**

The Visofold Series of aluminium doors, windows, and glazing systems offers a range of design and performance options. Each door offers maximum opening options for easy installation and use. The Visofold Series is available in a range of finishes and colours to create an elegant and modern look.

**DESIGNING PRODUCT SOLUTIONS FOR:**

- Specialist Residential Construction
- Specialist Commercial Construction
- Specialist Industrial Construction
- Specialist Agricultural Construction
- Specialist Marine Construction
- Specialist Healthcare Construction
- Specialist Education Construction
- Specialist Government Construction
- Specialist Military Construction
- Specialist Aviation Construction
- Specialist Space Construction
- Specialist Defence Construction
- Specialist Security Construction
- Specialist High Security Construction
- Specialist High Performance Construction
- Specialist High Quality Construction
- Specialist High Value Construction

**smart**

**Visoglide Plus**

Visoglide Plus offers the same contemporary styling and sleek performance associated with the Visoglide series, but with superior performance.

- U-Value 1.4 W/m<sup>2</sup>K
- Air Class 4, A10/P4
- Water Class 7a, W0/P4
- Wind Class 4C, W0/P4
- Impact Rating of 3B & 3C (EN 12208)
- Colour matched accessories now available
- Special anti-rattle system for double glazing
- British Standard Enhanced system engineering

HM 120318 P10 24.12.12

**smart**

**Aliver Rooflight**

Aliver Rooflight offers the benefits of a rooflight in a sleek, modern design. The Aliver Rooflight is available in a range of finishes and colours to create a modern and elegant look. The Aliver Rooflight is available in a range of sizes and shapes to suit your requirements.

**DESIGNING PRODUCT SOLUTIONS FOR:**

- Specialist Residential Construction
- Specialist Commercial Construction
- Specialist Industrial Construction
- Specialist Agricultural Construction
- Specialist Marine Construction
- Specialist Healthcare Construction
- Specialist Education Construction
- Specialist Government Construction
- Specialist Military Construction
- Specialist Aviation Construction
- Specialist Space Construction
- Specialist Defence Construction
- Specialist Security Construction
- Specialist High Security Construction
- Specialist High Performance Construction
- Specialist High Quality Construction
- Specialist High Value Construction

**smart** MADE IN BRITAIN

**introducing VISOOTHERM**

The sleek, high quality, high performance Visootherm window and door range has been designed to deliver superior performance and security. Each door offers maximum opening options for easy installation and use. The Visootherm Series is available in a range of finishes and colours to create an elegant and modern look.

**DESIGNING PRODUCT SOLUTIONS FOR:**

- Specialist Residential Construction
- Specialist Commercial Construction
- Specialist Industrial Construction
- Specialist Agricultural Construction
- Specialist Marine Construction
- Specialist Healthcare Construction
- Specialist Education Construction
- Specialist Government Construction
- Specialist Military Construction
- Specialist Aviation Construction
- Specialist Space Construction
- Specialist Defence Construction
- Specialist Security Construction
- Specialist High Security Construction
- Specialist High Performance Construction
- Specialist High Quality Construction
- Specialist High Value Construction

**GENESIS 90**

**Genesis 90 (IPRO)**

Genesis 90 (IPRO) offers the same contemporary styling and sleek performance associated with the Genesis Series, but with superior performance.

- U-Value 1.4 W/m<sup>2</sup>K
- Air Class 4, A10/P4
- Water Class 7a, W0/P4
- Wind Class 4C, W0/P4
- Impact Rating of 3B & 3C (EN 12208)
- Colour matched accessories now available
- Special anti-rattle system for double glazing
- British Standard Enhanced system engineering





# Product Update 3D LIVING

Regulation Update

Product Update

Alitherm 400

Visofold

Visoglide

3D Living

Doors





Product Update

# ALUSPACE



Regulation Update

Product Update

Alitherm 400

Visofold

Visoglide

**3D Living**

Doors



**smart**  
architectural aluminium

Proud members of  
**MADE IN BRITAIN**

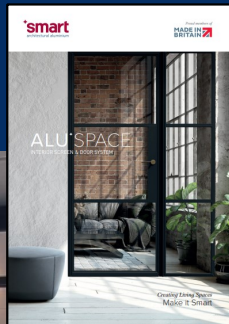
**ALUSPACE**  
INTERIOR SCREEN & DOOR SYSTEM





Product Update

# ALUSPACE



Regulation Update

Product Update

Alitherm 400

Visofold

Visoglide

**3D Living**

Doors









Product Update

# ALUSPACE

Regulation Update

Product Update

Alitherm 400

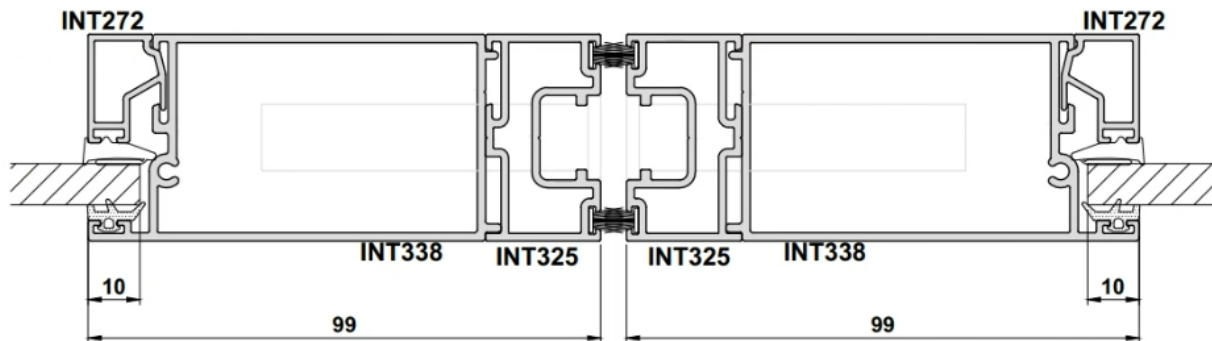
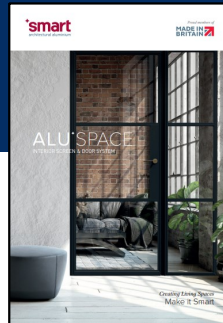
Visofold

Visoglide

**3D Living**

Doors

## AluSpace



**New Sections for sliding Door for lock INT338**



Product Update

# ALUSPACE

Regulation Update

Product Update

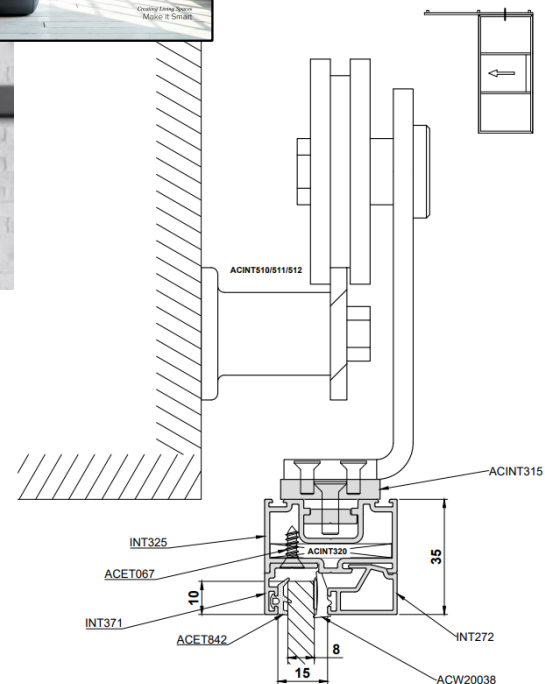
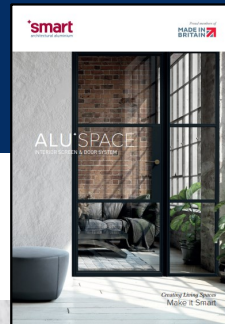
Alitherm 400

Visofold

Visoglide

**3D Living**

Doors





Product Update

# DECOWALL



Regulation Update

Product Update

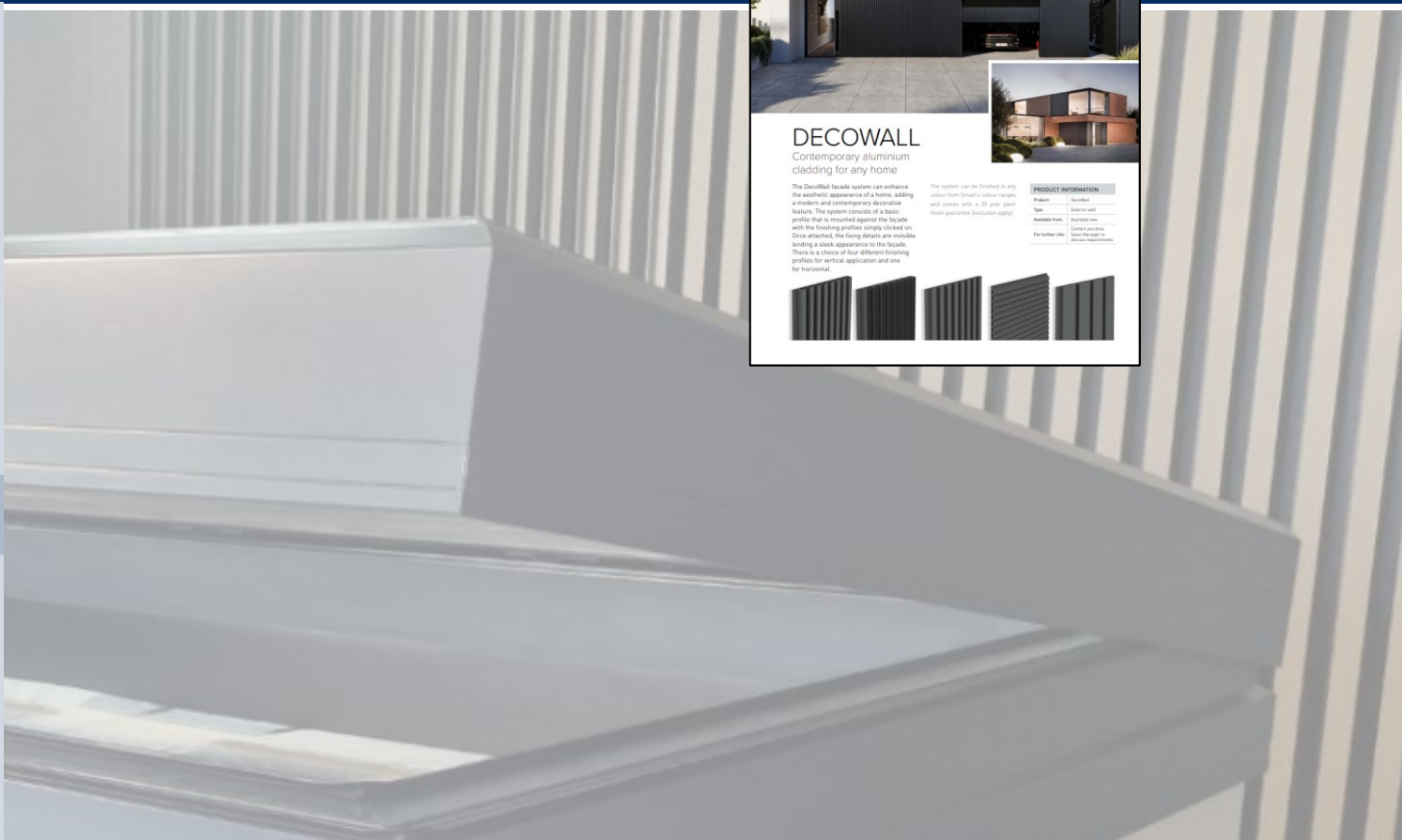
Alitherm 400

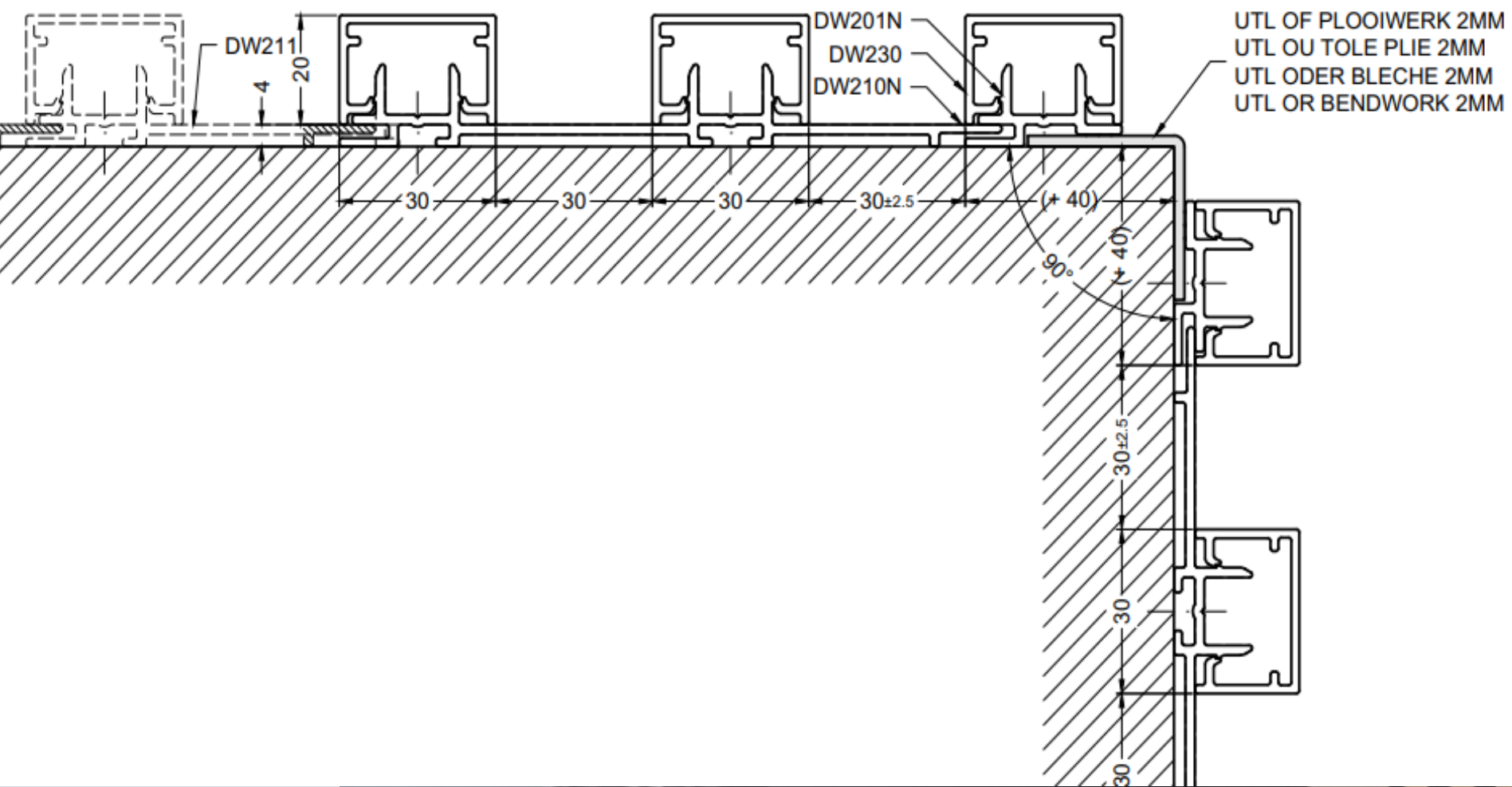
Visofold

Visoglide

**3D Living**

Doors







Product Update

# SOLUMBRA



Regulation Update

Product Update

Alitherm 400

Visofold

Visoglide

**3D Living**

Doors





Product Update

# SOLUMBRA



Regulation Update

Product Update

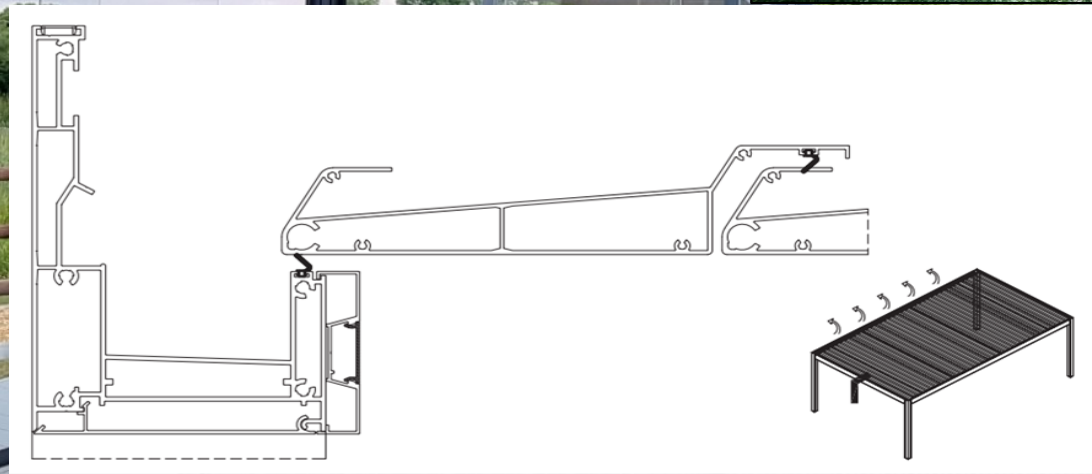
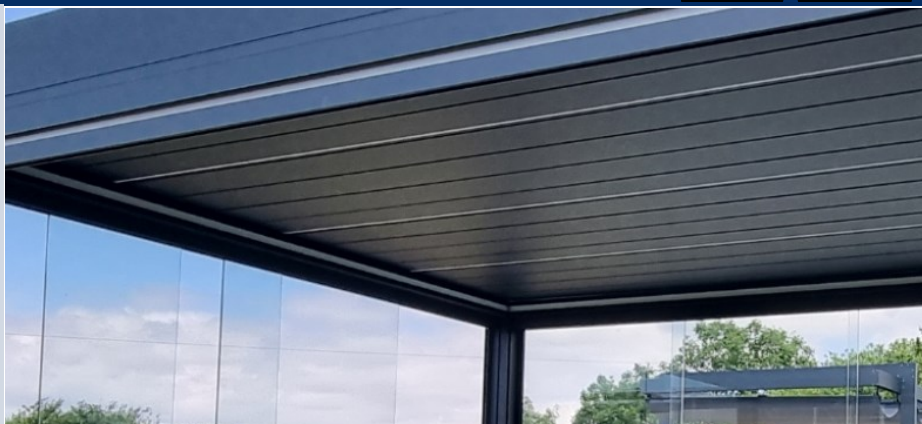
Alitherm 400

Visofold

Visoglide

**3D Living**

Doors





Product Update

# SOLUMBRA

Regulation Update

Product Update

Alitherm 400

Visofold

Visoglide

**3D Living**

Doors







Product Update

# SOL DECK



Regulation Update

Product Update

Alitherm 400

Visofold

Visoglide

**3D Living**

Doors





# Product Update 3D LIVING

Regulation Update

Product Update

Alitherm 400

Visofold

Visoglide

3D Living

Doors





Product Update

# DOORS & PANELS

Regulation Update

Product Update

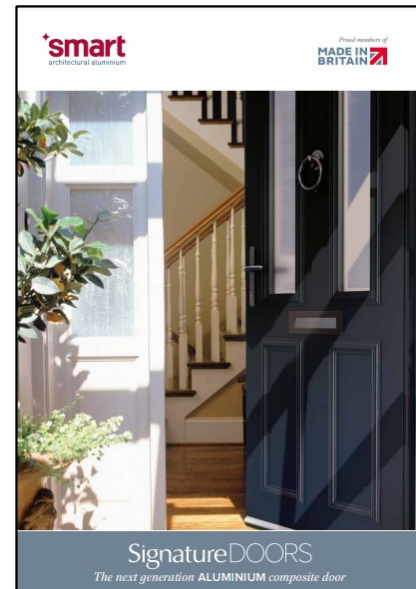
Alitherm 400

Visofold

Visoglide

3D Living

**Doors**

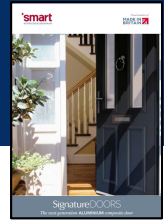


**Scott Garner**



Product Update

# DESIGNER & FLAT PANELS



Regulation Update

Product Update

Alitherm 400

Visofold

Visoglide

3D Living

**Doors**



**Revised, improved pricing**

**Flat panels stocked**

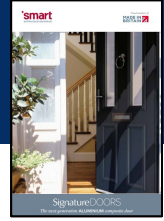
**24mm flat panels (Q3)**

**Non-combustible panels?**



Product Update

# DESIGNER DOORS



Regulation Update

Product Update

Alitherm 400

Visofold

Visoglide

3D Living

**Doors**



**Double doors / door and  
a half available now**

**Door styles and hardware  
review Q4**



Product Update

# SIGNATURE DOORS

Regulation Update

Product Update

Alitherm 400

Visofold

Visoglide

3D Living

**Doors**

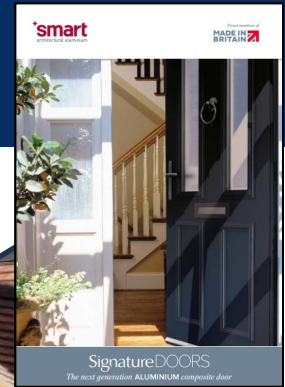


## The rising star



Product Update

# SIGNATURE DOORS



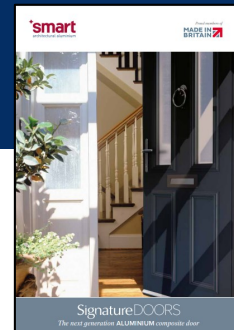
**0-50 per week in under 12 months**





Product Update

# MARKETING CAMPAIGN




**MADE IN BRITAIN**

The future of composite doors is **'smart'**

We've taken traditional composite doors to the next level, using aluminium to create the next generation door.

These British made entrance doors deliver all the great features that homeowners want, without any of the inherent weaknesses of other materials.

<p><b>Fit &amp; Forget</b> Door Sets</p> <p>Precision made to order and fully guaranteed, once installed every door will give decades of trouble free, reliable performance.</p>	<p><b>25 Year Paint*</b> Guarantee</p> <p>Our high quality powder coat paint finish gives each Signature door a long-lasting, lustreous finish. Its brilliance guaranteed for 25 years.</p>
--	---

\*For full details of our Paint Guarantee please refer to our full terms and conditions, available upon request.

FOR MORE INFORMATION ON THE BENEFITS CONTACT YOUR NEAREST SUPPLIER

SignatureDOORS



**25 YEAR\* PAINT FINISH**  
OUR DOORS WILL NOT CRACK, PEEL OR FADE  
THAT'S OUR GUARANTEE.



**FIT AND FORGET**  
HIGH QUALITY, LASTING PERFORMANCE.  
THAT'S OUR GUARANTEE.

## Glass & Glazing Products

THE UK'S MOST POPULAR & INFORMATIVE GLAZING MAGAZINE

READERSHIP- 8,000

windows **active**

READERSHIP- 9,100

**VISION** people & the glazing industry **magazine**

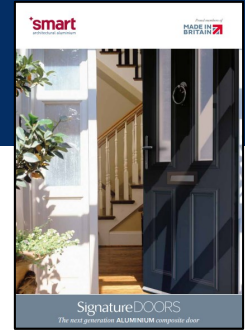
READERSHIP- 16,700





Product Update

# 2024 DEVELOPMENT



## SIDELIGHTS AND TOPLIGHTS- JULY/ AUGUST



## PART M COMPLIANT (LOW ALUMINIUM) THRESHOLD- Q3



- FINGER PULLS- Q3
- HERITAGE SLAM LOCK- Q3
- BLACK STAINLESS FURNITURE- Q3
- NEW STAINLESS STEEL LETTER PLATE- Q3
- SPLIT SPINDLE LOCK- Q3



## 5X NEW DESIGNS- Q4





Product Update

# DOORS & PANELS

Regulation Update

Product Update

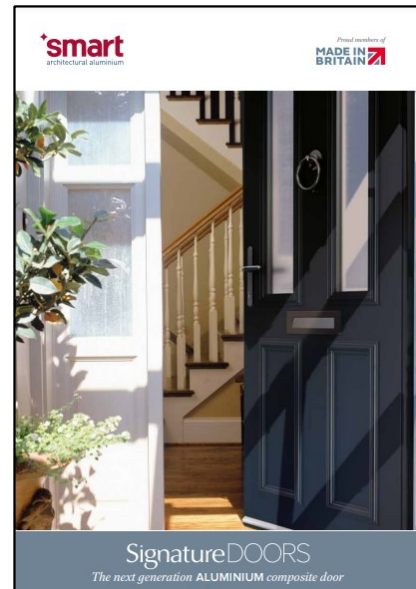
Alitherm 400

Visofold

Visoglide

3D Living

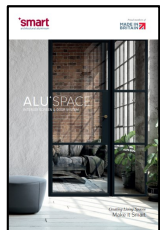
**Doors**





2024 Open Day

# CLOSING REMARKS



**Dean Thomas – Managing Director**

